



PREMIUM ARCHITECTURAL & BUILDING SOLUTIONS

www.jsc.co.nz

0800 57 26 88

COMPARABLE PROFILE TABLE

FOR SIMILAR PROFILES AND THICKNESS OPTIONS REFER TO TABLE BELOW:

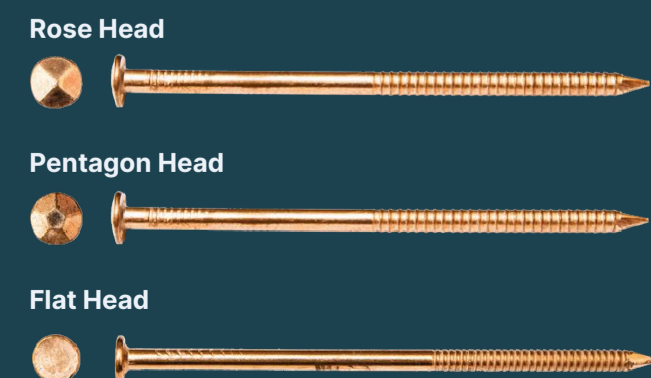
WESTERN RED CEDAR	JSC-TMT	ALASKAN YELLOW CEDAR	H3.2 RADIATA PINE
STANDARD THICKNESS			
18.5mm	18.5mm	22mm	20mm
VERTICAL SHIPLAP WEATHERBOARDS			
APJ341	TMT341	APJ341-22	APJ730
APJ361	*N/A	APJ361-22	APJ731
APJ381	*N/A	APJ381-22	*Custom
J55	TMT55	J55-22	*Custom
J56	TMT56	J56-22	*Custom
APJ49	TMT49	APJ49-22	APJ732
J51	TMT51	J51-22	APJ733
J52	TMT52	J52-22	APJ736
BOARD & BATTEN WEATHERBOARDS			
J123	TMT123	J123-22	APJ750
J124**	TMT124**	J124-22**	APJ751**
J120	TMT120	J120-22	APJ752
J121	TMT121	J121-22	APJ753
HORIZONTAL RUSTICATED WEATHERBOARDS			
APJ241	TMT524	APJ241-22	*Custom
APJ261	TMT526	APJ261-22	*Custom
APJ281	TMT528	APJ281-22	*Custom
J67	*Custom	J67-22	APJ723
J68	*Custom	J68-22	APJ724
APJ262	*Custom	APJ262-22	*Custom
APJ282	*Custom	APJ282-22	*Custom
BEVEL BACK WEATHERBOARDS			
J61	TMT501	J61-22	APJ741
J62	TMT502	J62-22	APJ742

\*Custom = Made to order custom profile  
 \*N/A = Not available  
 \*\* = To be used as corner profile only

NOTE: Equivalent profiles may vary in size from specie to specie. Check with us for critical measurements.

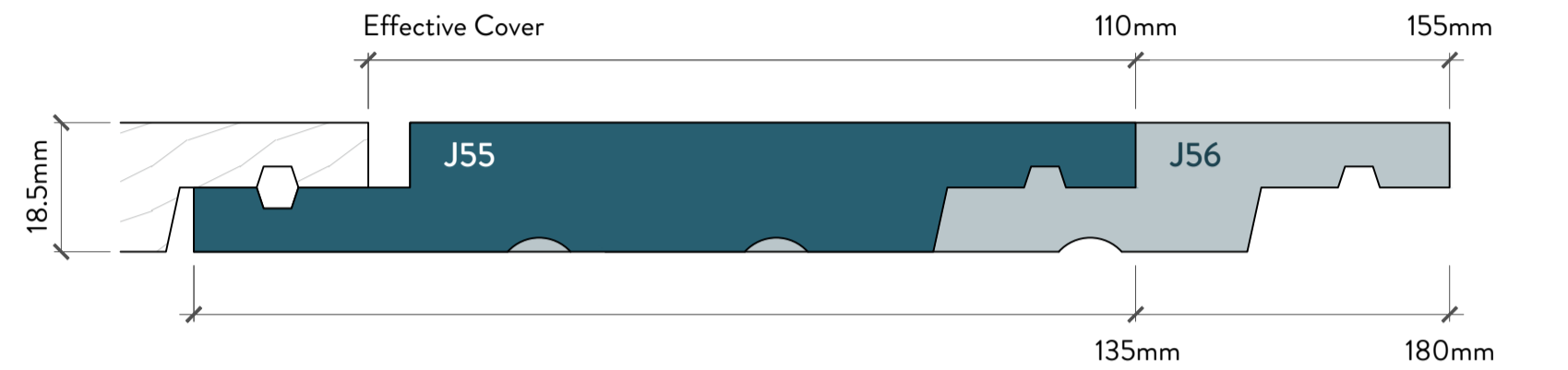
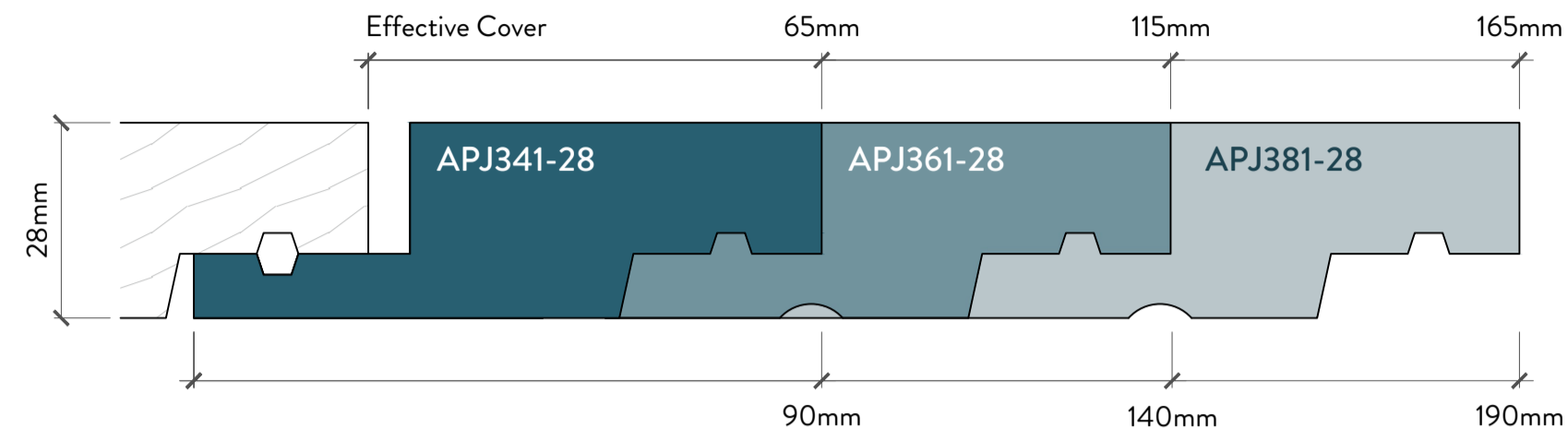
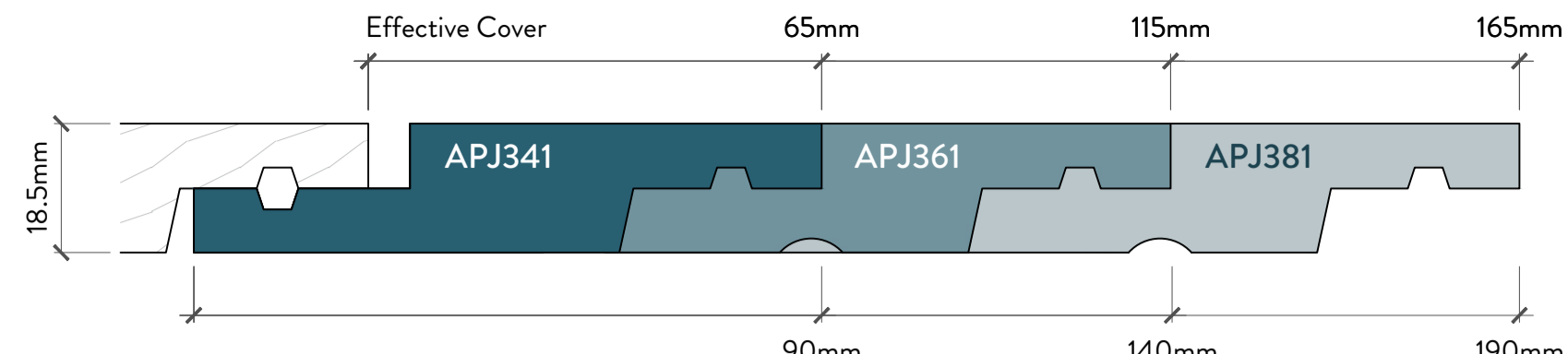
FIXINGS (Not to Scale)

316 Stainless Steel or Silicon Bronze Annular Grooved Nails

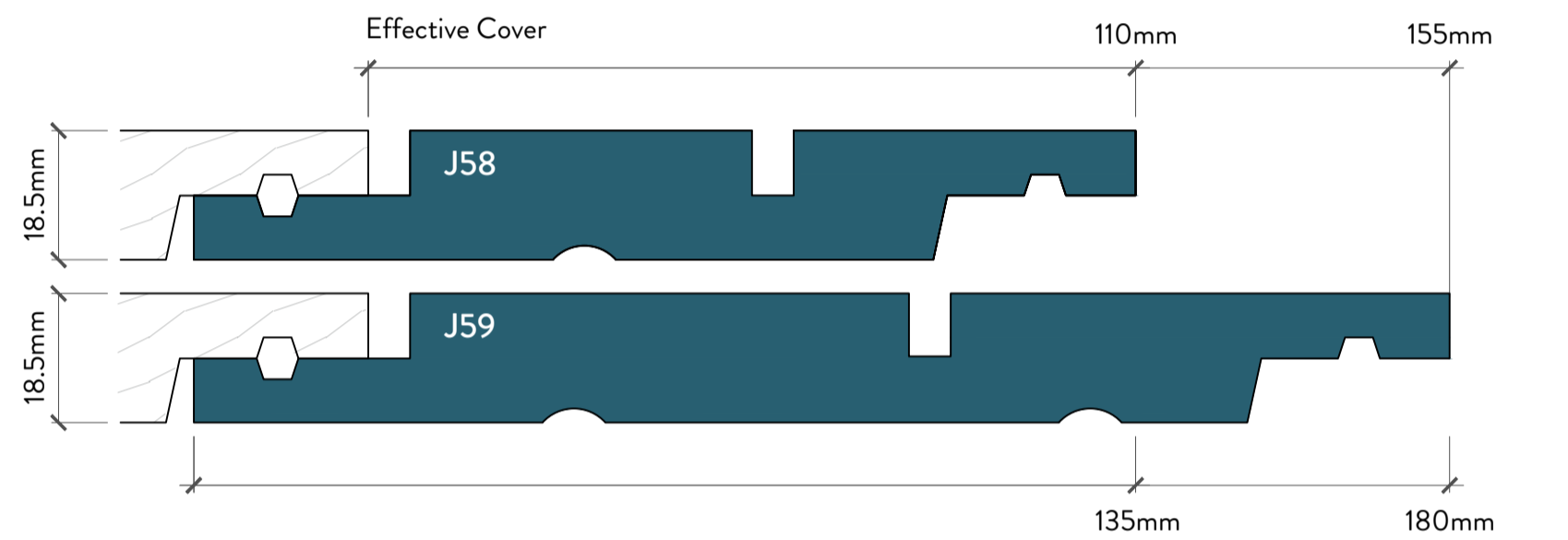


VERTICAL SHIPLAP WEATHERBOARDS

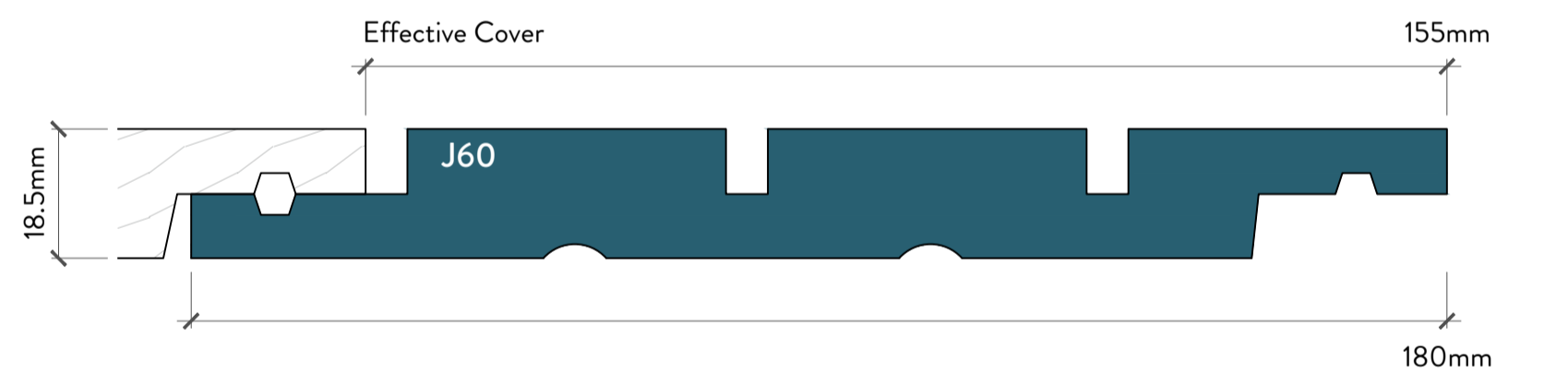
SQUARE EDGES PROFILES - 6mm CHANNEL



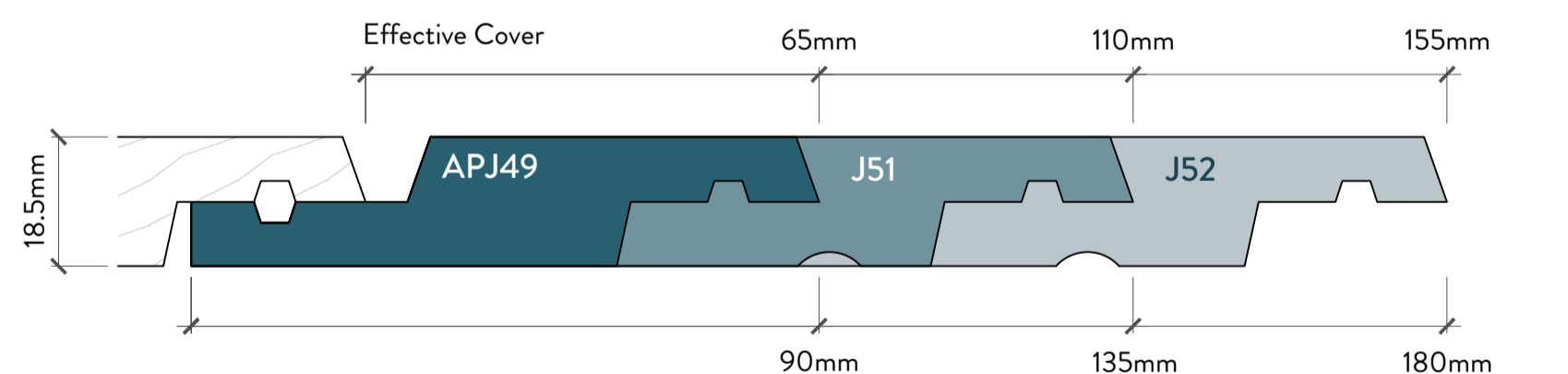
SINGLE CENTRE GROOVE, SQUARE EDGES PROFILES - 6mm CHANNEL



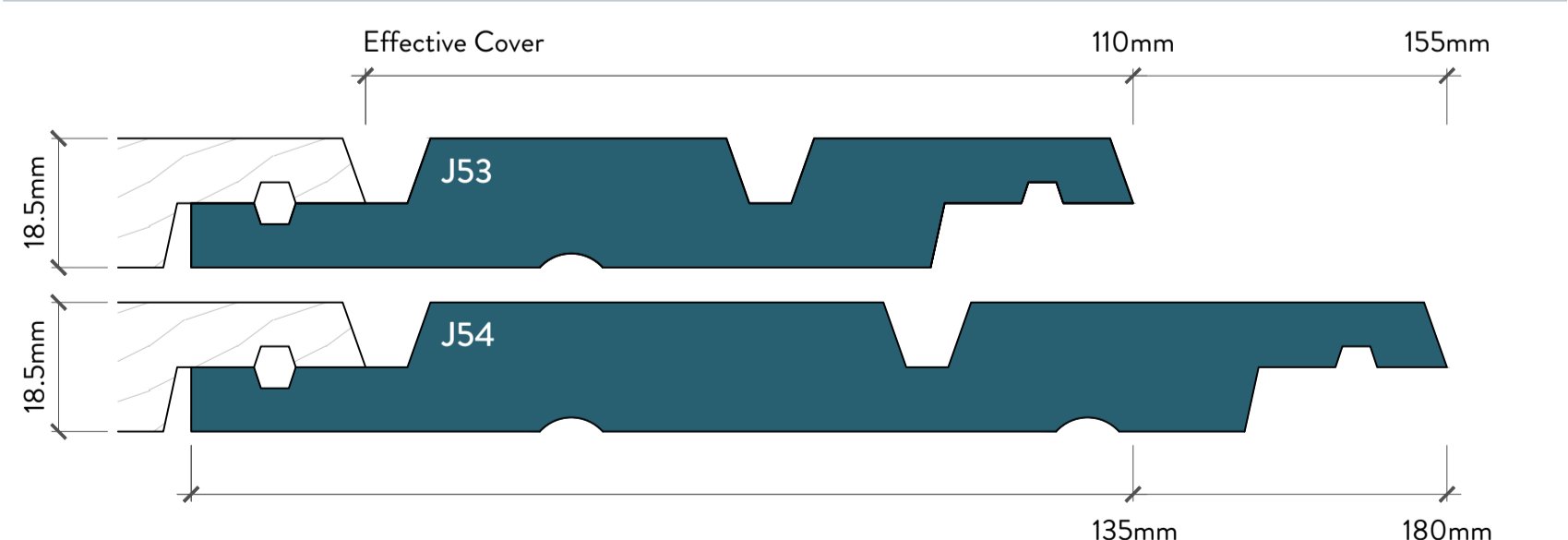
DOUBLE CENTRE GROOVE, SQUARE EDGES PROFILE - 6mm CHANNEL



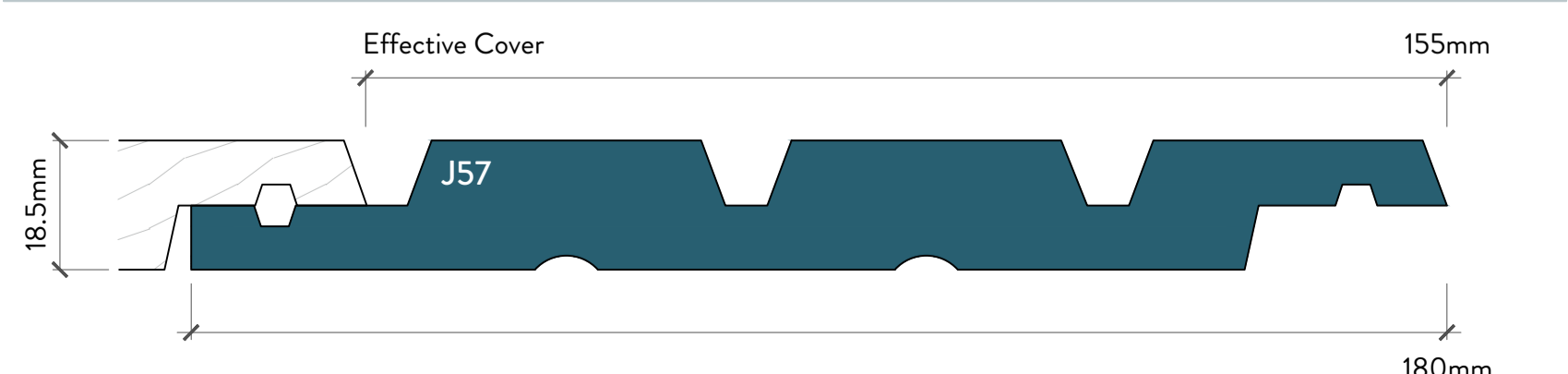
BEVELLED EDGES PROFILES - 6mm CHANNEL



SINGLE CENTRE GROOVE, BEVELLED EDGES PROFILES - 6mm CHANNEL

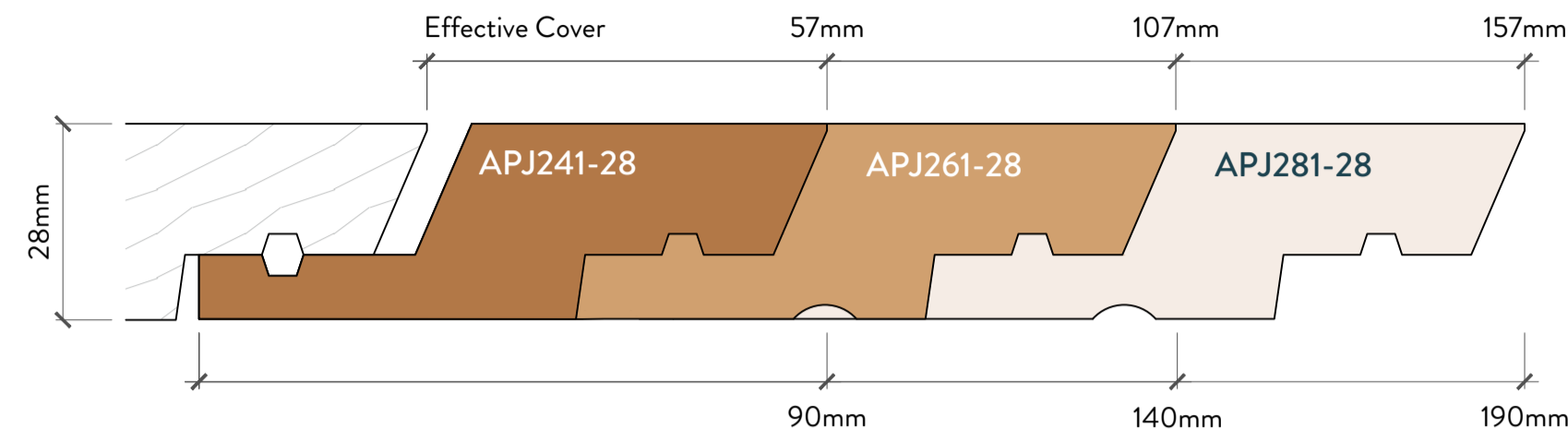
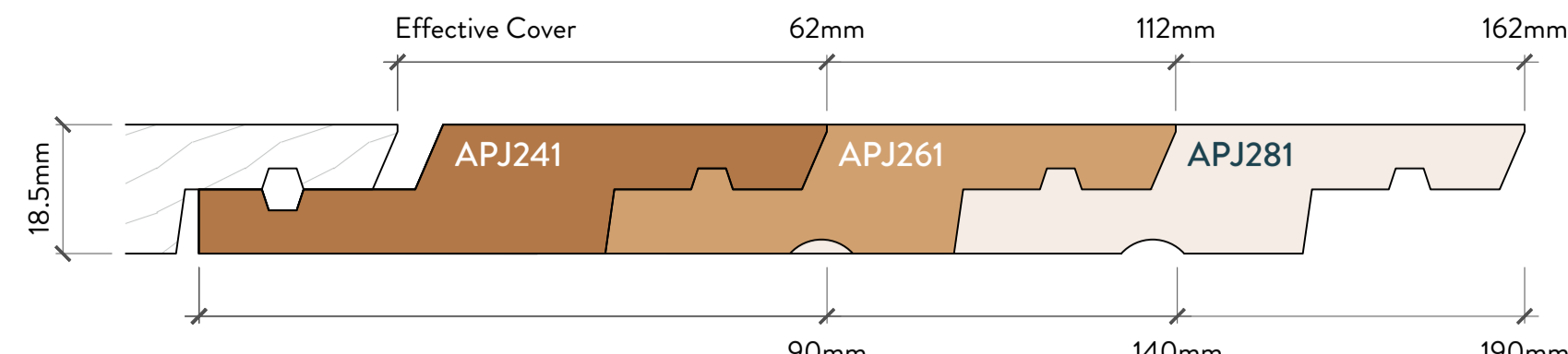


DOUBLE CENTRE GROOVE, BEVELLED EDGES PROFILE - 6mm CHANNEL

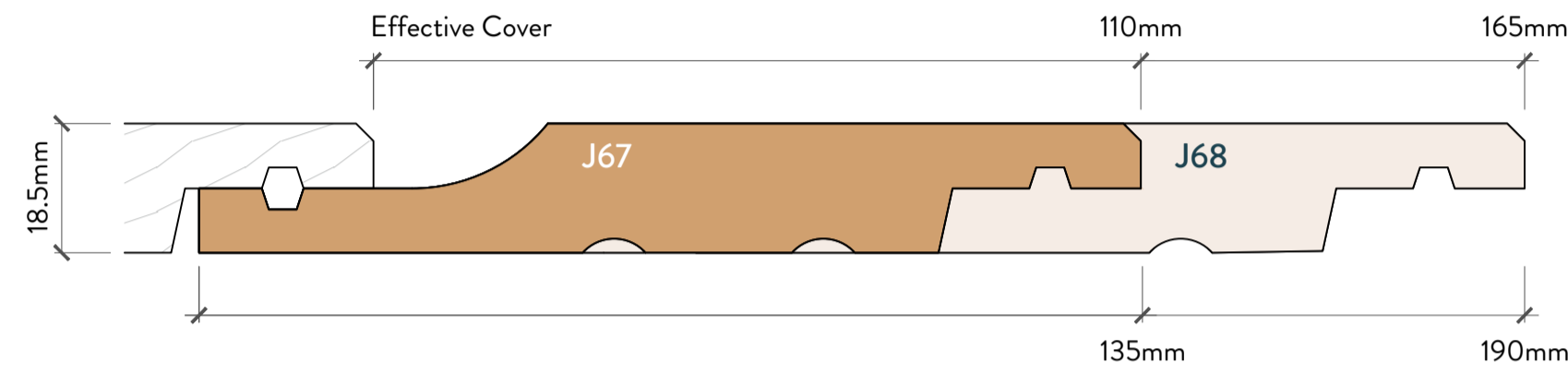


HORIZONTAL RUSTICATED WEATHERBOARDS

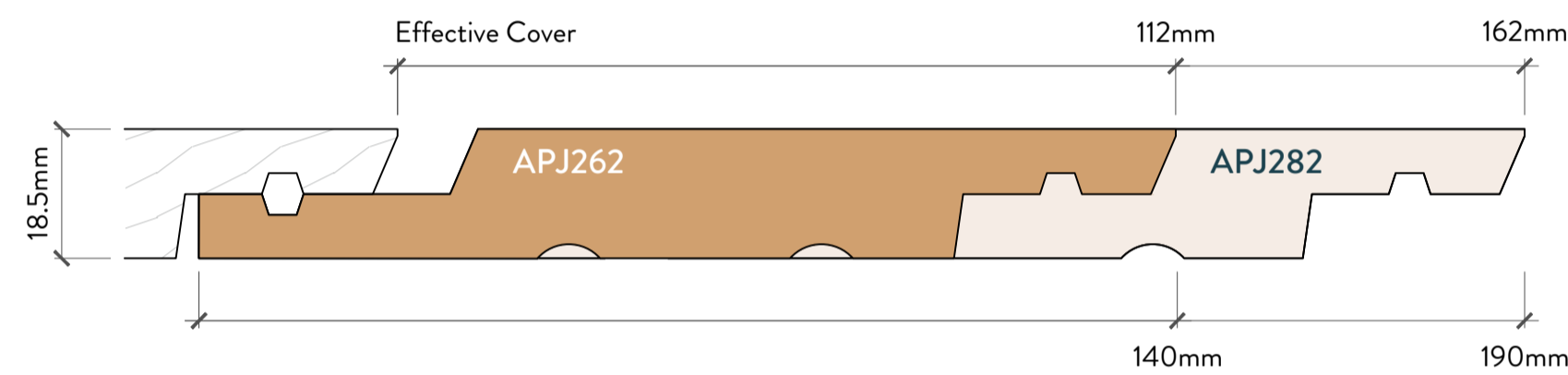
DOUBLE SPLAY RUSTIC PROFILES - 6mm CHANNEL



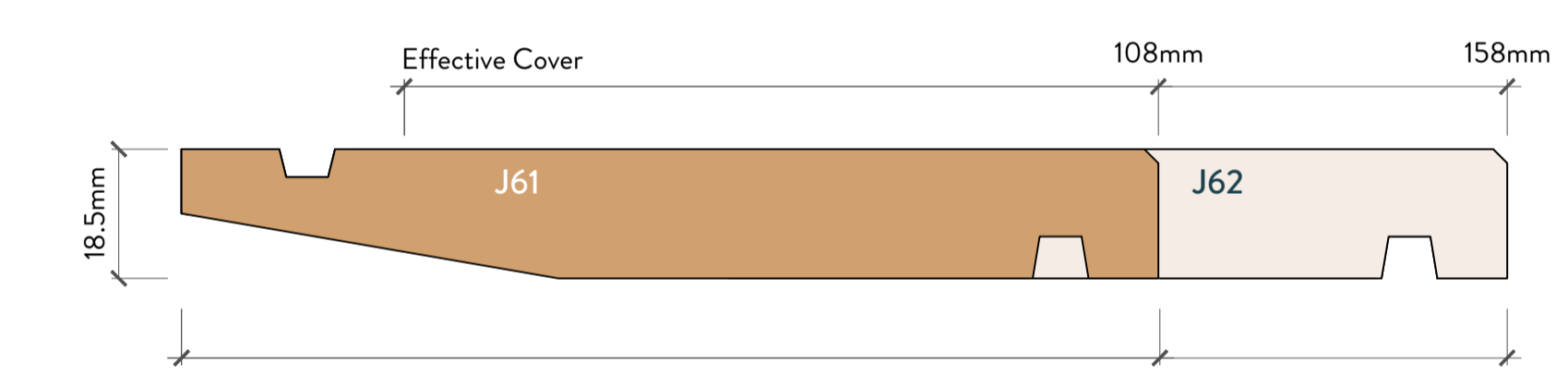
TRADITIONAL RUSTIC PROFILES - 25mm CHANNEL



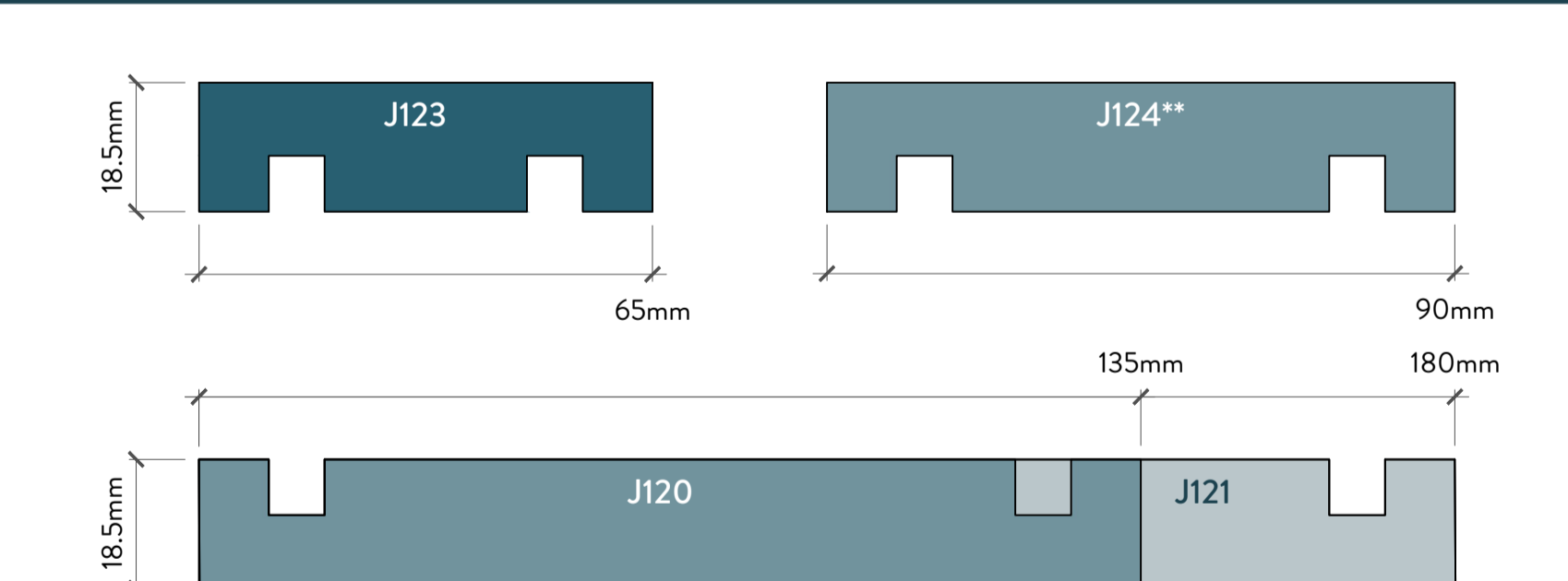
DOUBLE SPLAY RUSTIC - 11mm CHANNEL



BEVEL BACK WEATHERBOARDS

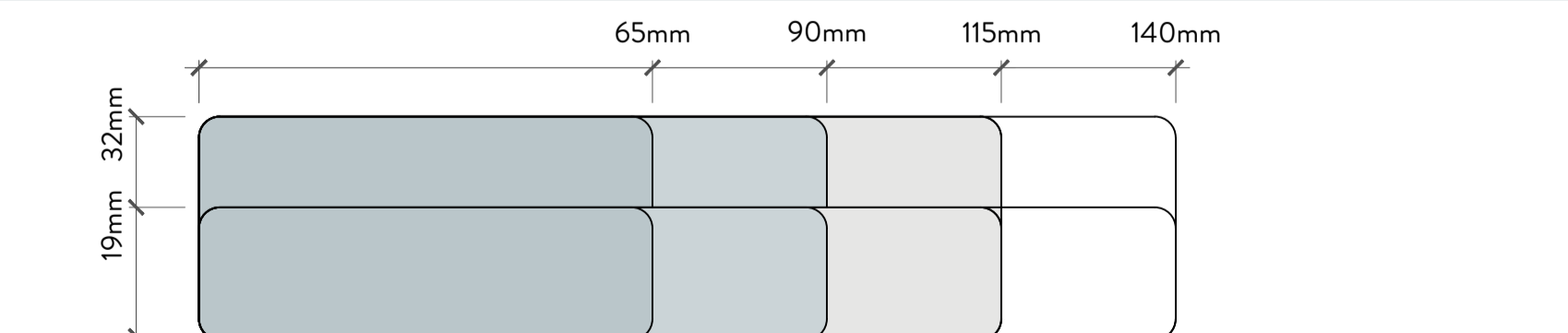


VERTICAL BOARD & BATTEN WEATHERBOARDS



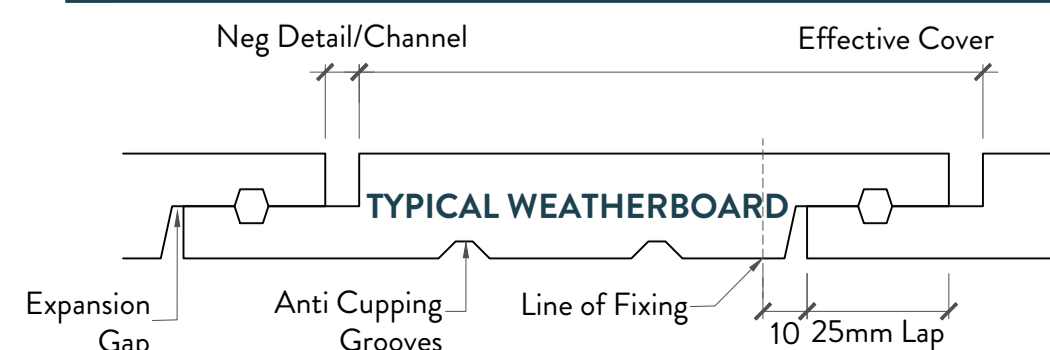
\*\*NOTE: J124 to be used as corner profile only

DECKING PROFILES



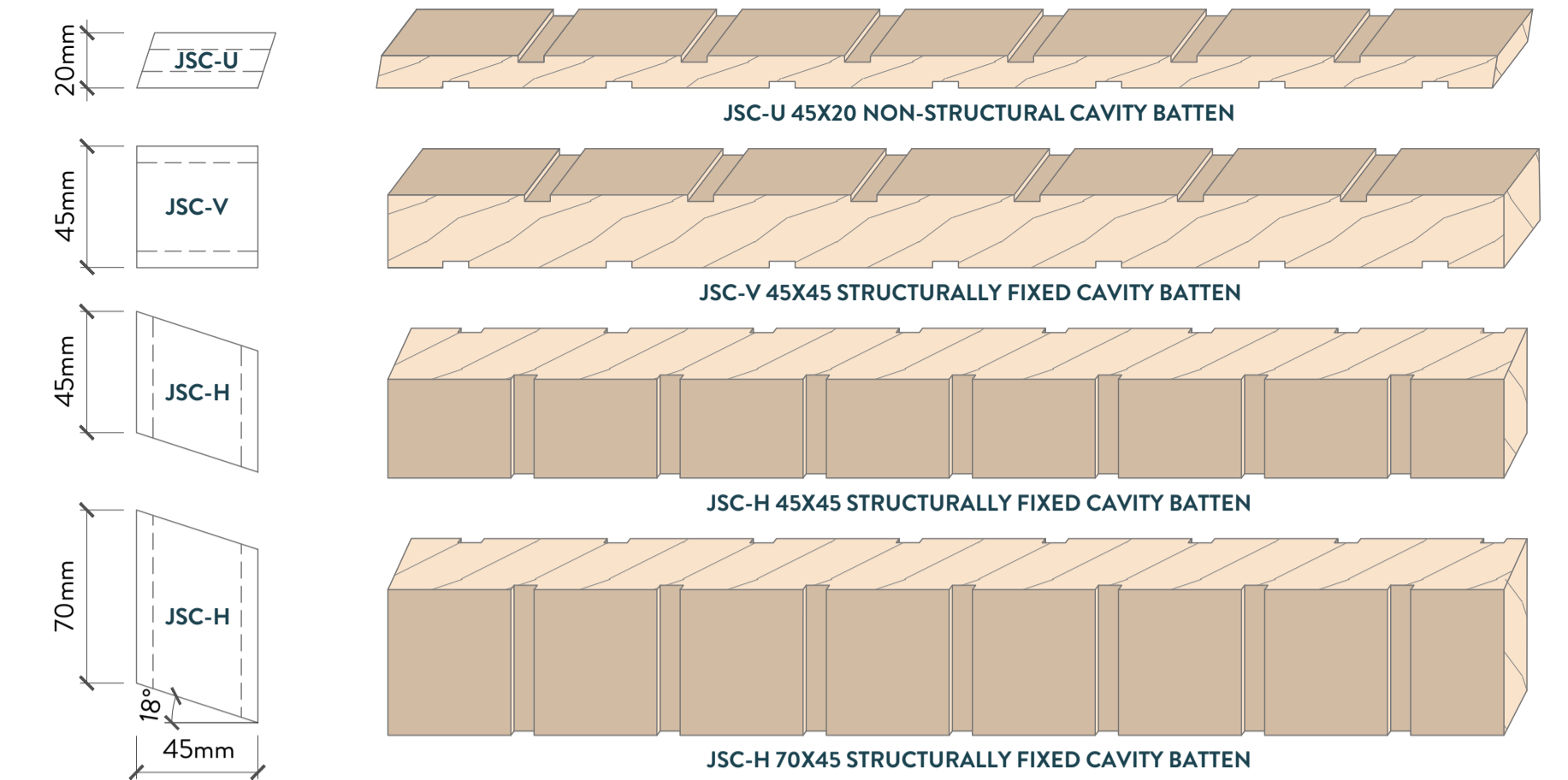
NOTE: Wider, thicker, and custom sizes including Drydek may be available. Contact us to find out more.

NOTES



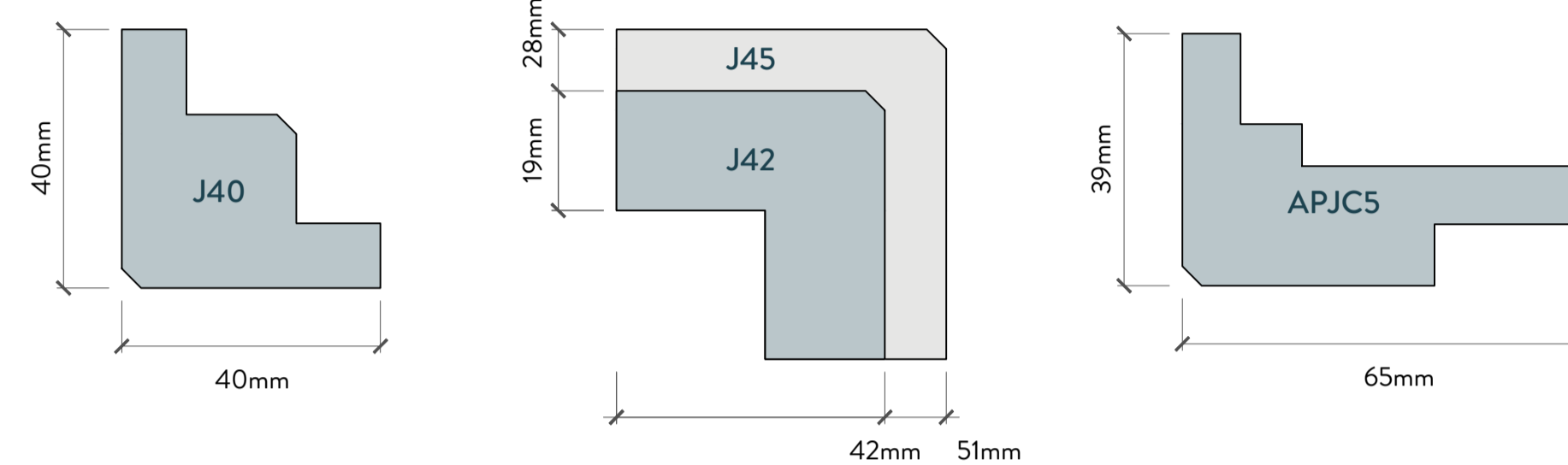
- Profiles on this chart show the standard JSC Profile range.
- Profiles are available in Band Sawn finish. Dressed and Brushed finishes are available depending on chosen specie and coating requirement.
- For paint applications, profiles with sharp edges are machined with 1.5mm radius.

CAVITY BATTENS (Nominal Dimensions / Not to Scale)

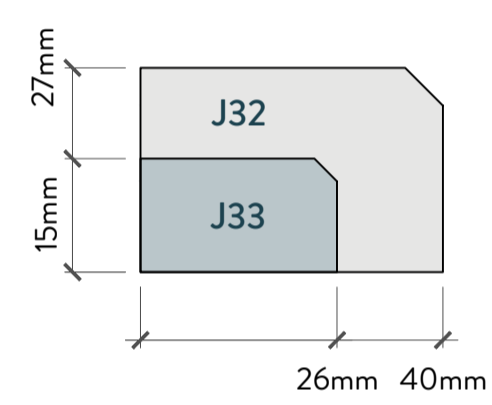


EXTERIOR MOULDINGS

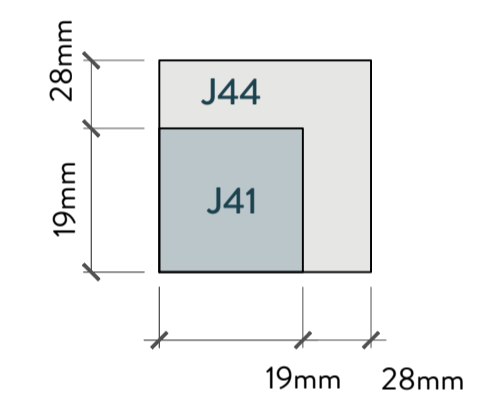
CORNER MOULDINGS



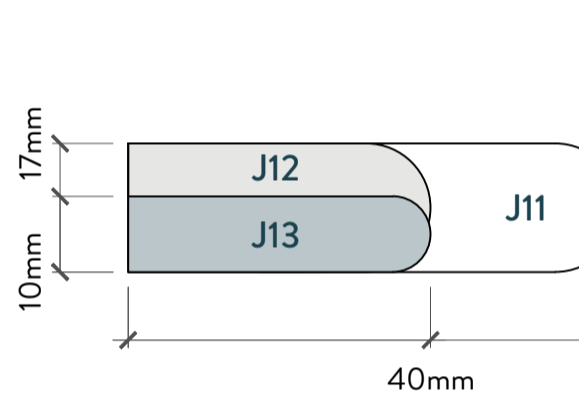
EAVES MOULD



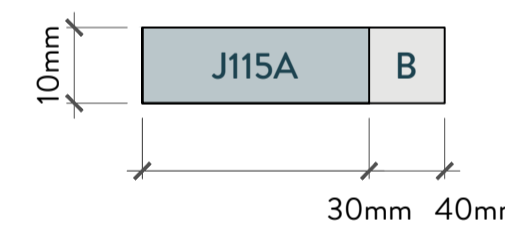
INTERNAL CORNER



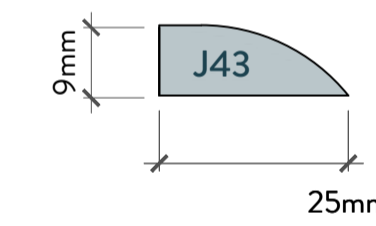
SCRIBER



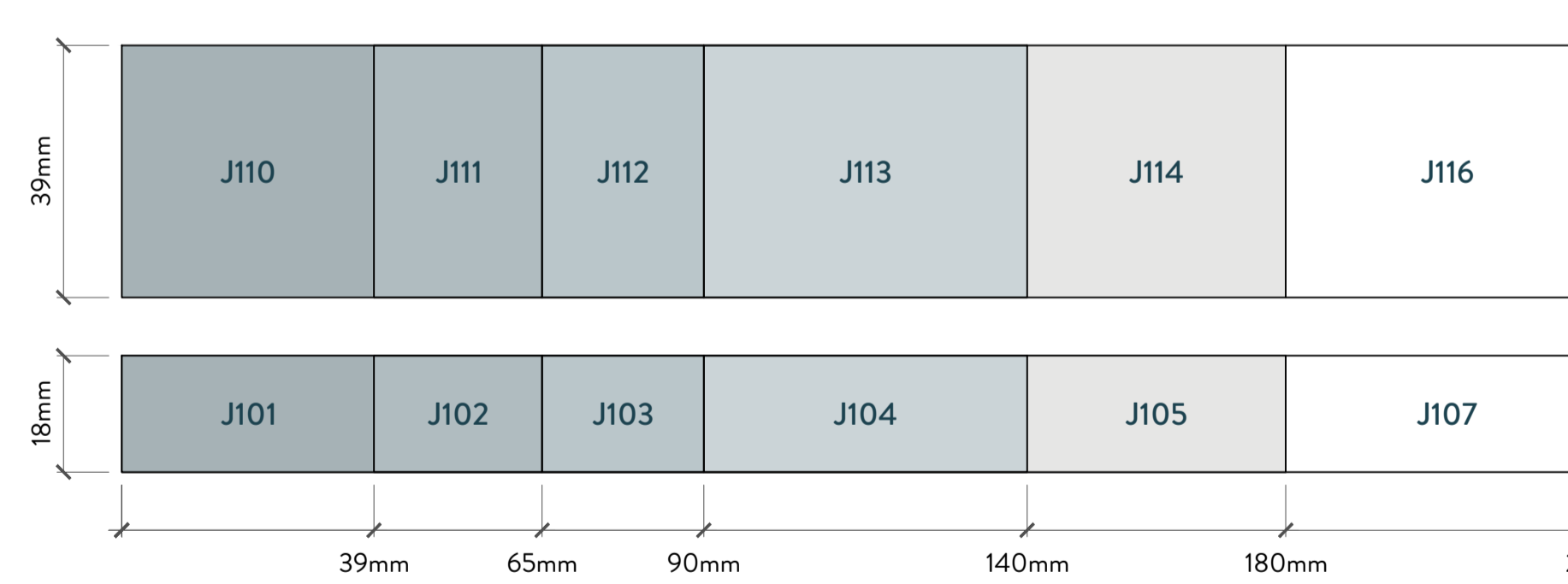
D4S BEAD



RUSTIC PLUG

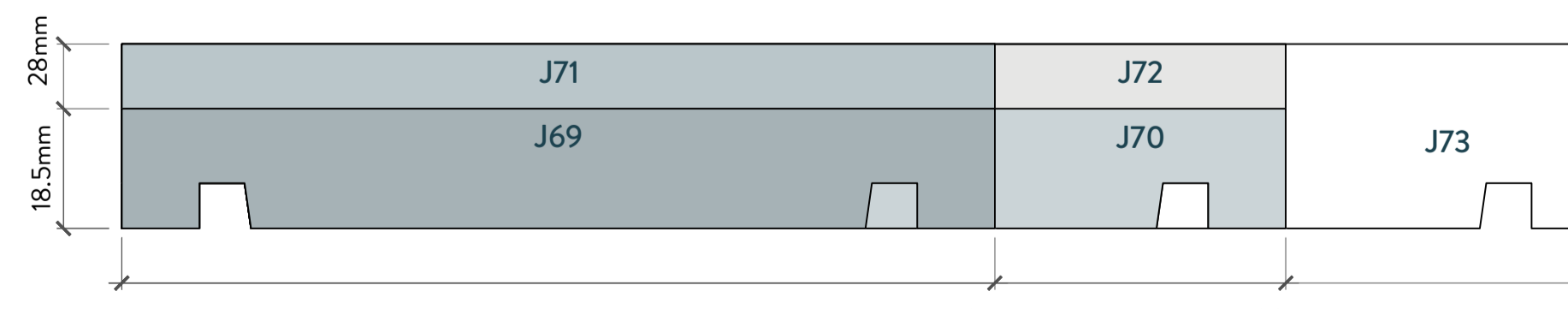


BATTENS: DRESSED 4 SIDES & BANDSAWN 4 SIDES



NOTE: Wider, thicker and custom sizes may be available. Contact us to find out more.

FASCIA BOARDS



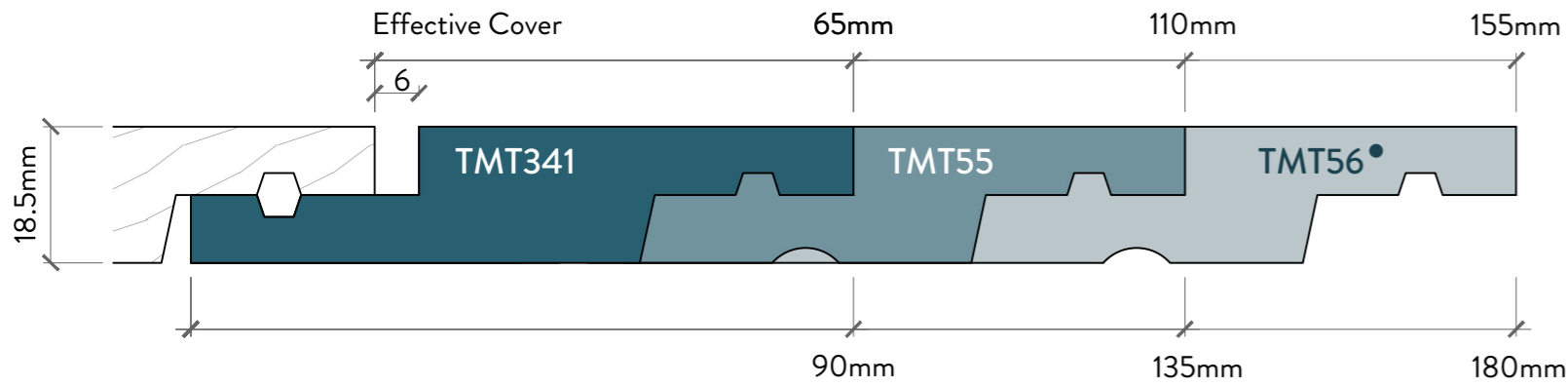
NOTE: Wider, thicker, and custom sizes may be available. Contact us to find out more.

- JSC Weatherboards must be installed by a suitably qualified and experienced tradesperson in accordance with the chosen cladding specification, installation and maintenance documentation.
- Details are subject to change without notification. Refer to www.jsc.co.nz for up to date documentation.

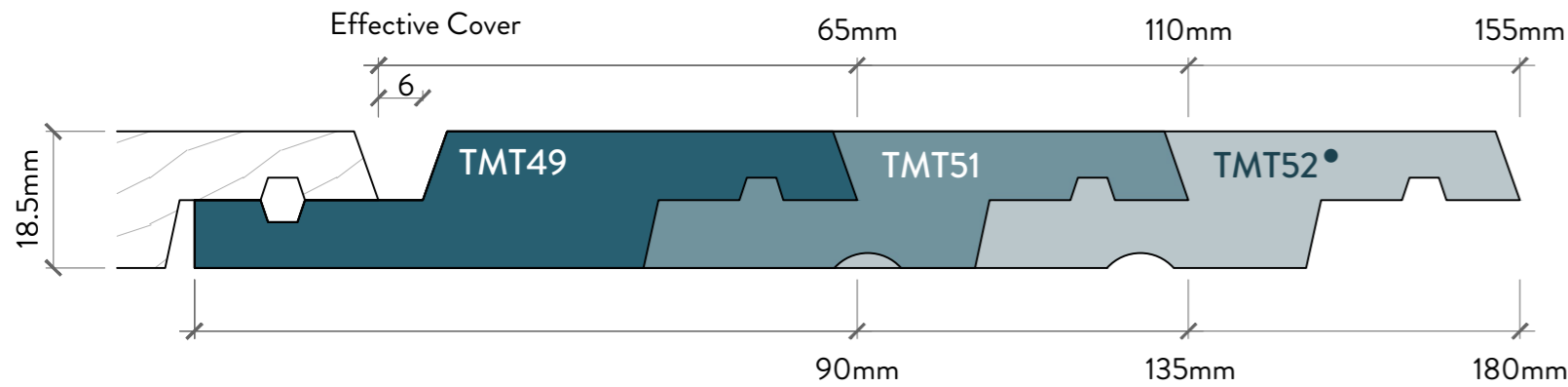
# JSC TMT WEATHERBOARD PROFILES

## VERTICAL SHIPLAP WEATHERBOARDS

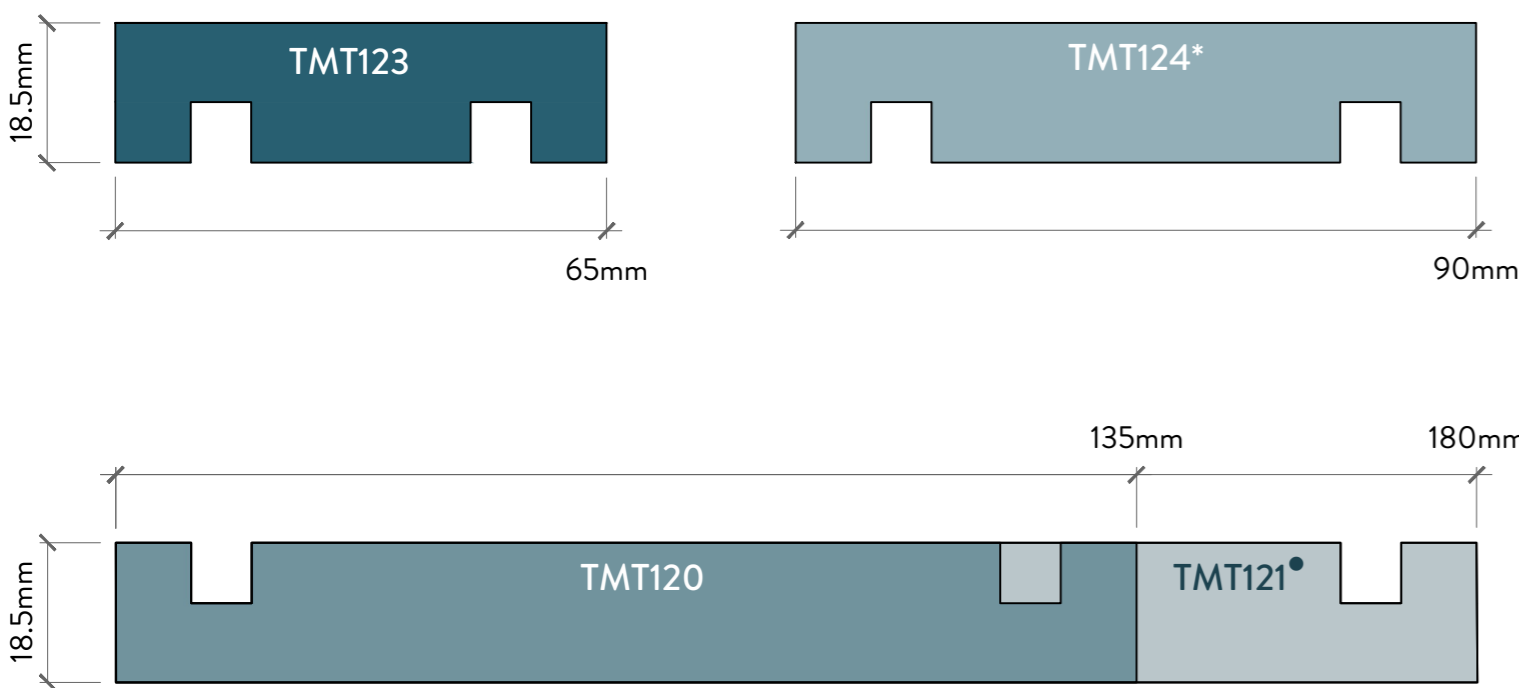
SQUARE EDGES PROFILES - 6mm CHANNEL



BEVELLED EDGES PROFILES - 6mm CHANNEL



## VERTICAL BOARD & BATTEN

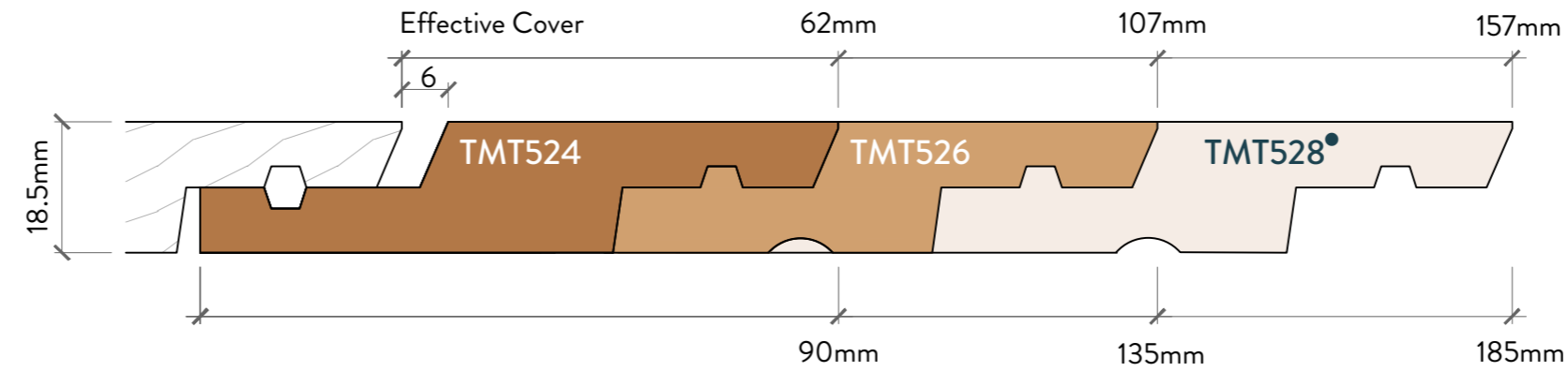


\*NOTE: TMT124 to be used as corner profile only

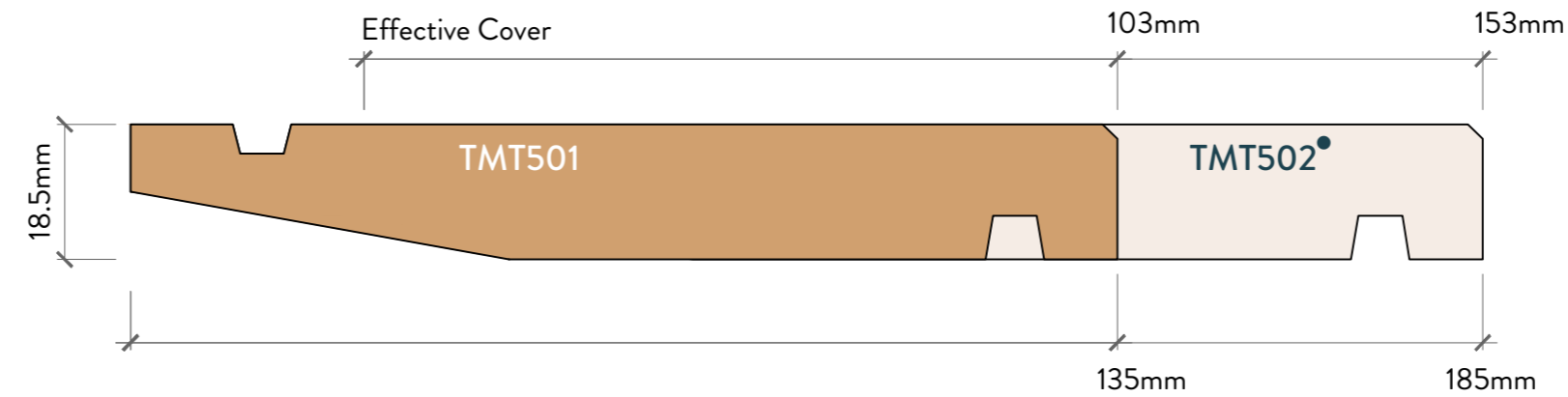
\*NOTE: Profiles not available in TMT Taiga

## RUSTICATED HORIZONTAL WEATHERBOARDS

DOUBLE SPLAY RUSTIC PROFILES - 6mm CHANNEL

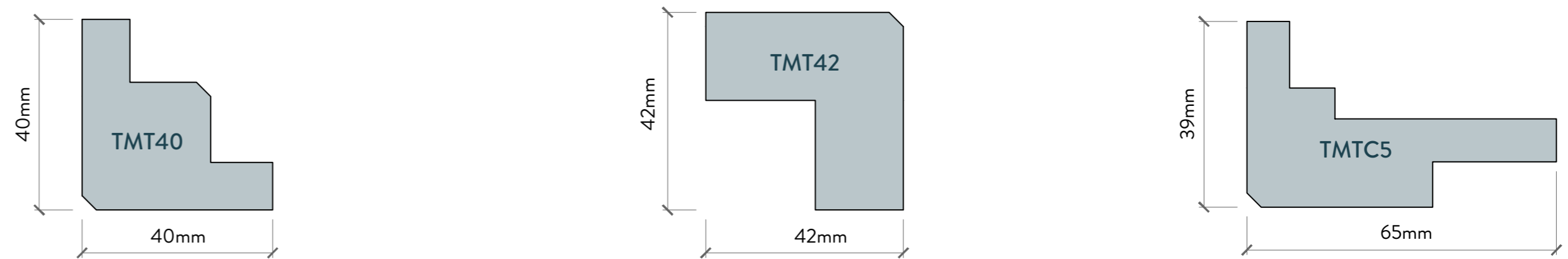


## BEVEL BACK WEATHERBOARDS

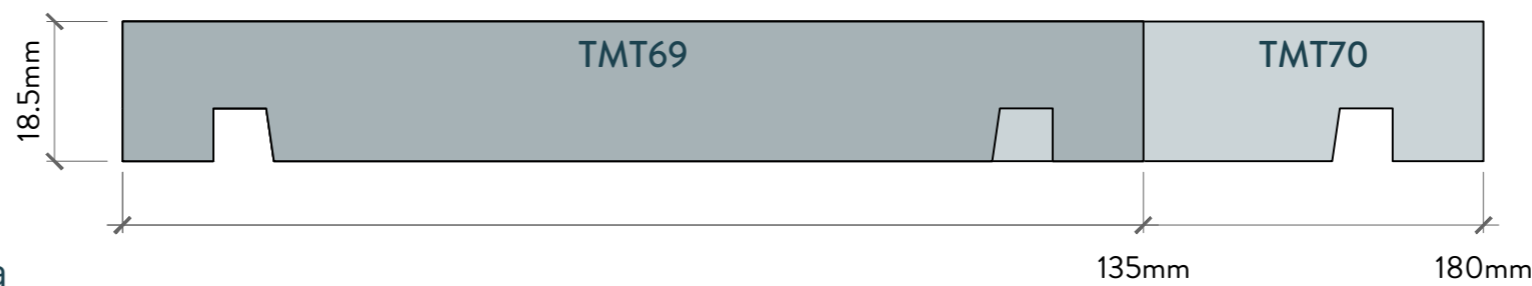


## EXTERIOR MOULDINGS

EXTERNAL CORNER MOULDINGS

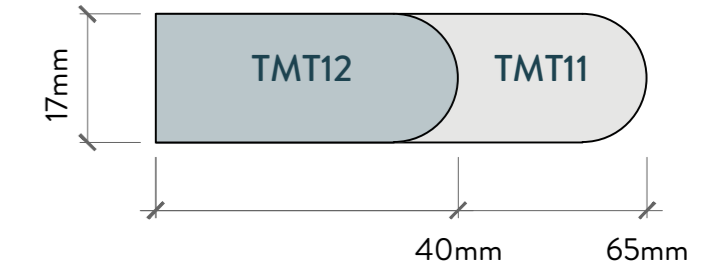


FASCIA BOARDS

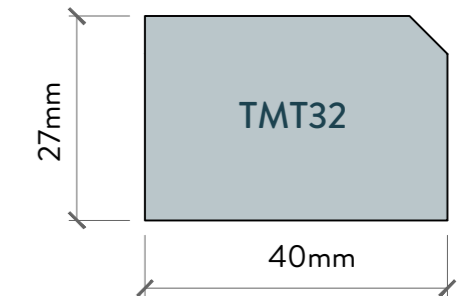


## EXTERIOR MOULDINGS

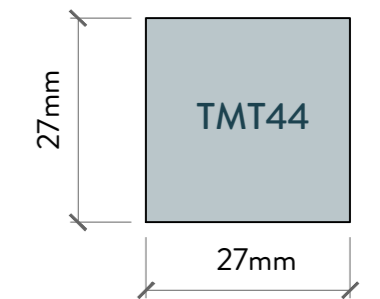
SCRIBER



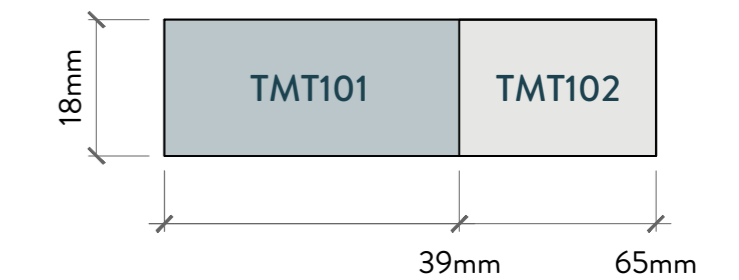
EAVES MOULD



INTERNAL CORNER MOULDING



BATTENS



### NOTES

1. Custom profiles available upon request.
2. Not all lengths are available in all profiles.
3. Profiles on this chart show the standard JSC Profile range.
4. Not all profiles or lengths are in stock.
5. Profiles are available in Band Sawn finish. Dressed and Brushed finishes are available depending on chosen specie and coating requirement.
6. Fixings: 316 Stainless Steel Annular Grooved Nails.
7. Details are subject to change without notification. Refer to [www.jsc.co.nz](http://www.jsc.co.nz) for up to date documentation.
8. JSC weatherboards must be installed by a suitably qualified and experienced tradesperson in accordance with the chosen cladding specification, installation and maintenance documentation.

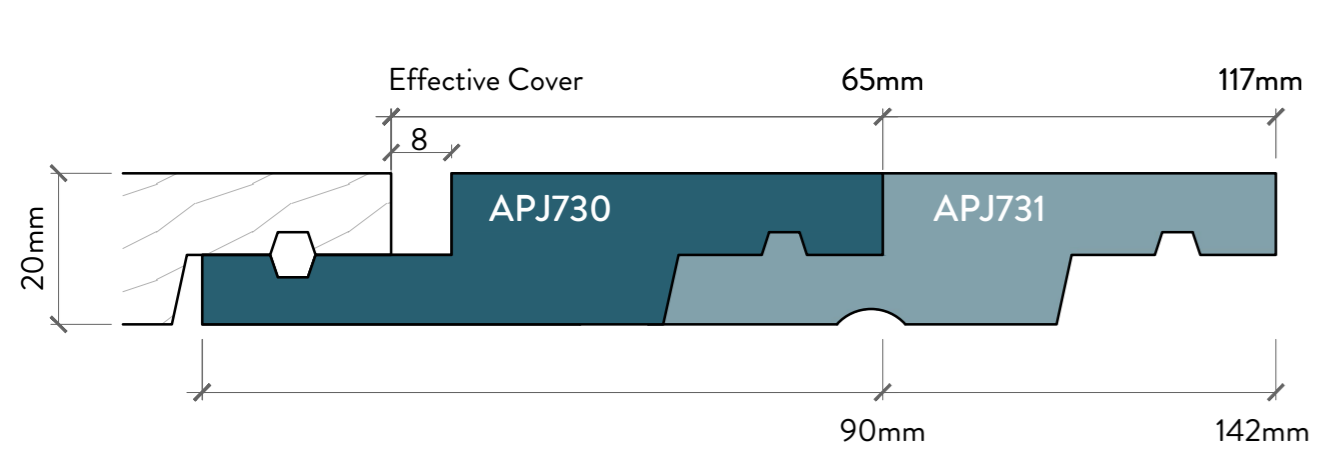
[www.jsc.co.nz](http://www.jsc.co.nz)

0800 57 26 88

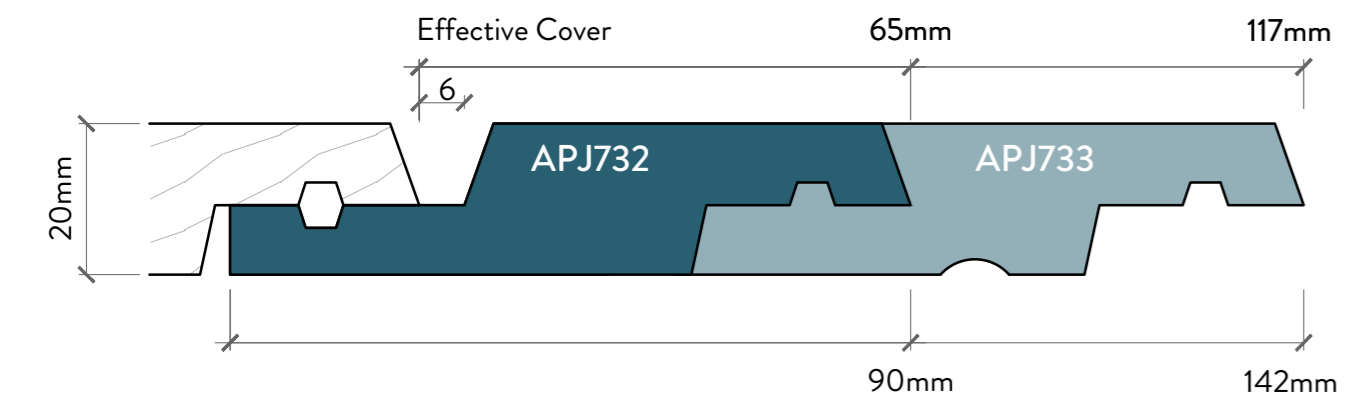
# JSC MICROPRO RADIATA PINE WEATHERBOARD PROFILES

## VERTICAL SHIPLAP WEATHERBOARDS

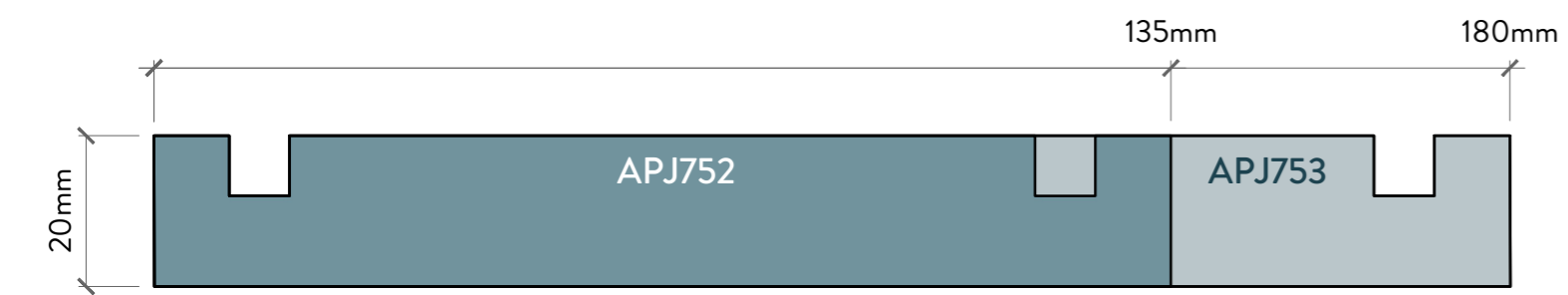
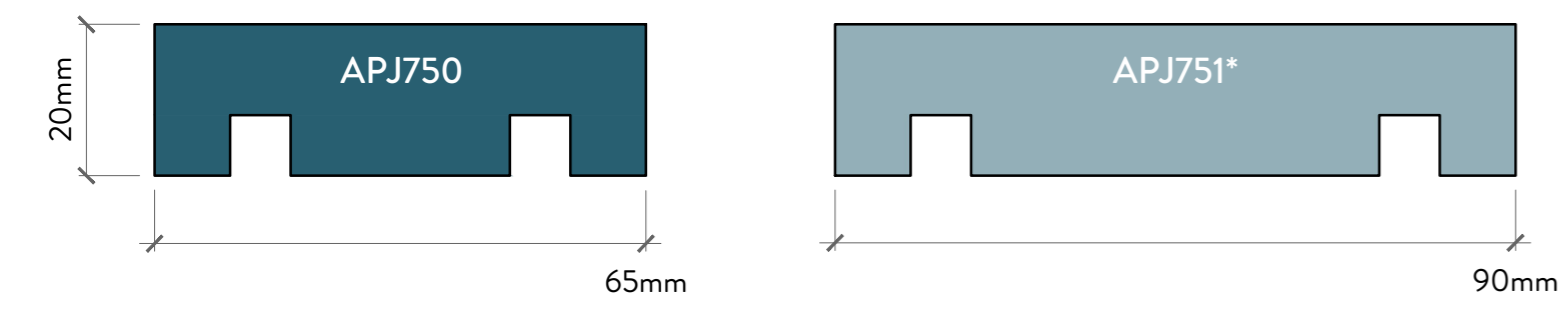
### SQUARE EDGES PROFILES - 8mm CHANNEL



### BEVELLED EDGES PROFILES - 6mm CHANNEL

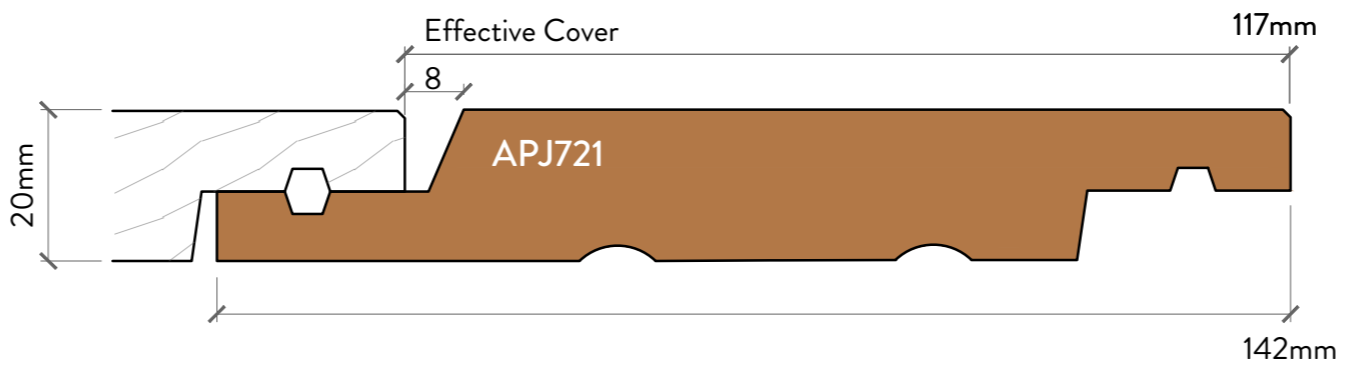


## VERTICAL BOARD & BATTEN

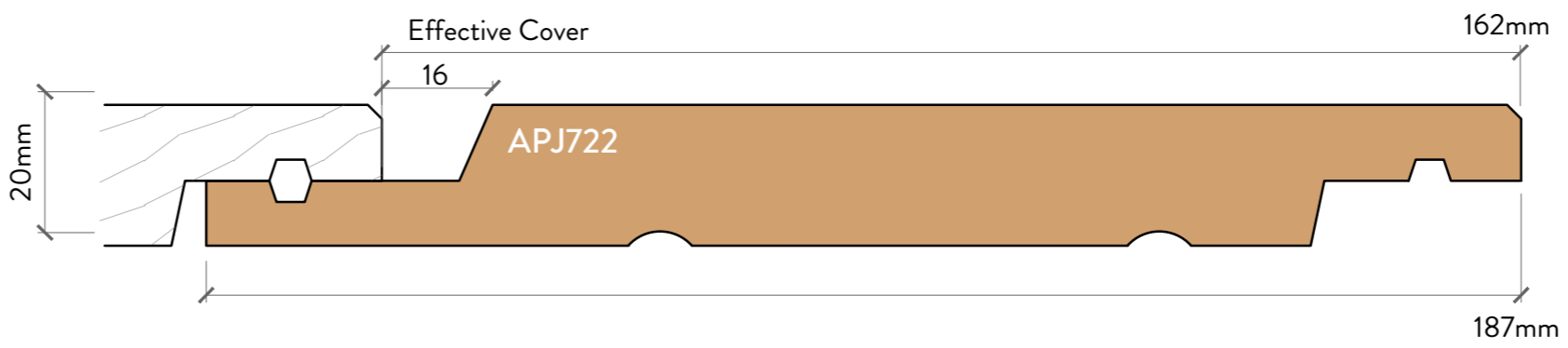


## RUSTICATED HORIZONTAL WEATHERBOARDS

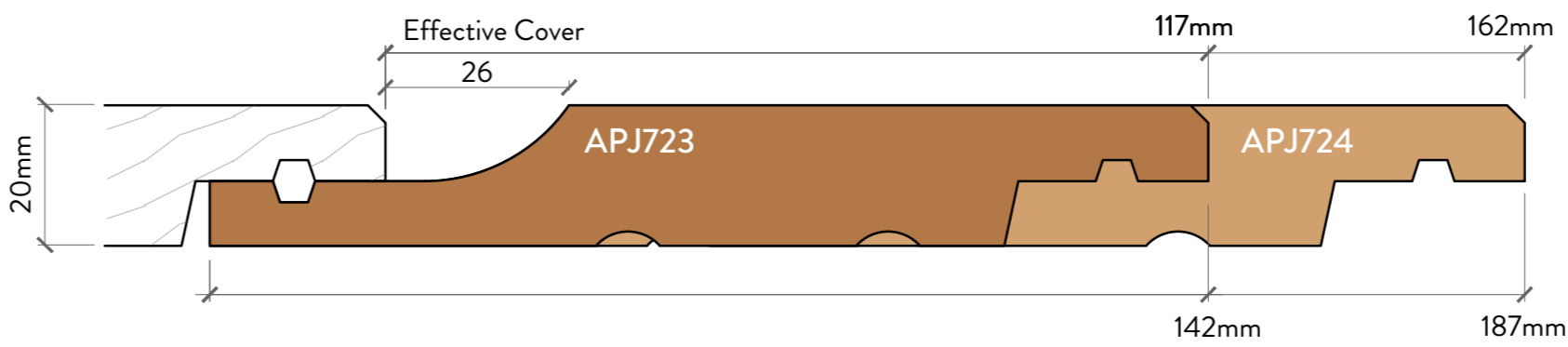
### SINGLE GROOVE RUSTIC PROFILE - 8mm CHANNEL



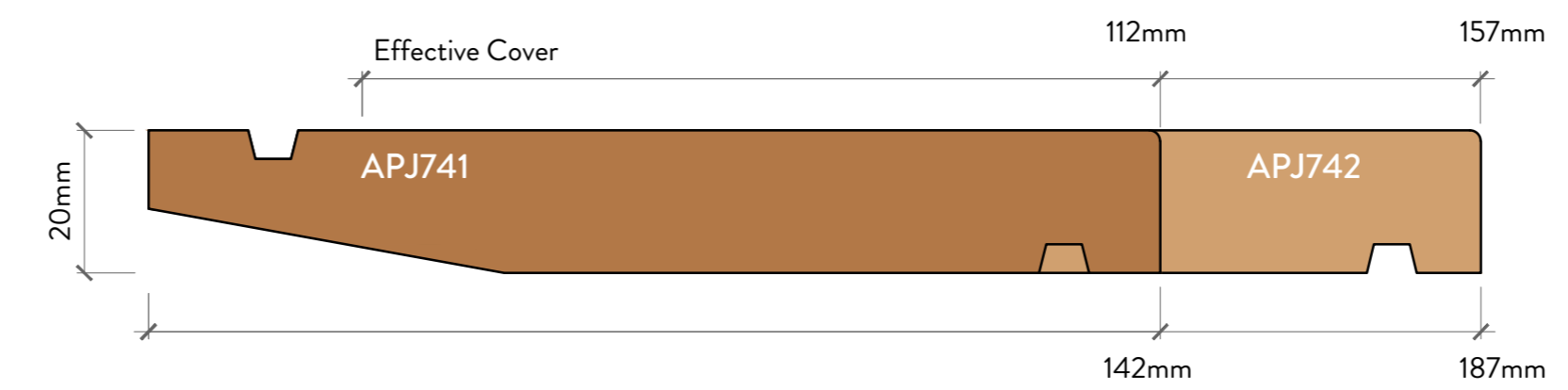
### SINGLE GROOVE RUSTIC PROFILE - 16mm CHANNEL



### TRADITIONAL RUSTICATED PROFILES - 26mm CHANNEL

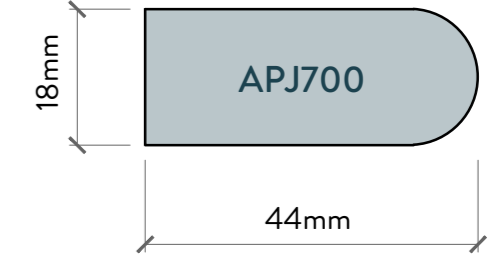


## BEVEL BACK WEATHERBOARDS

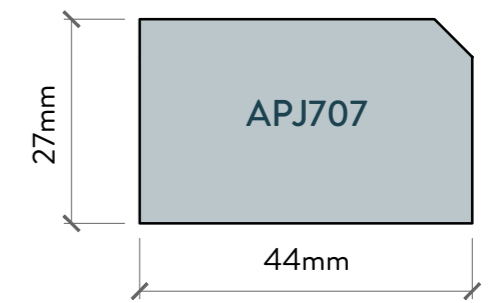


## EXTERIOR MOULDINGS

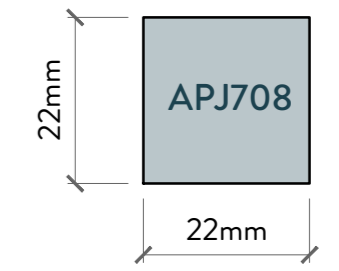
### SCRIBER



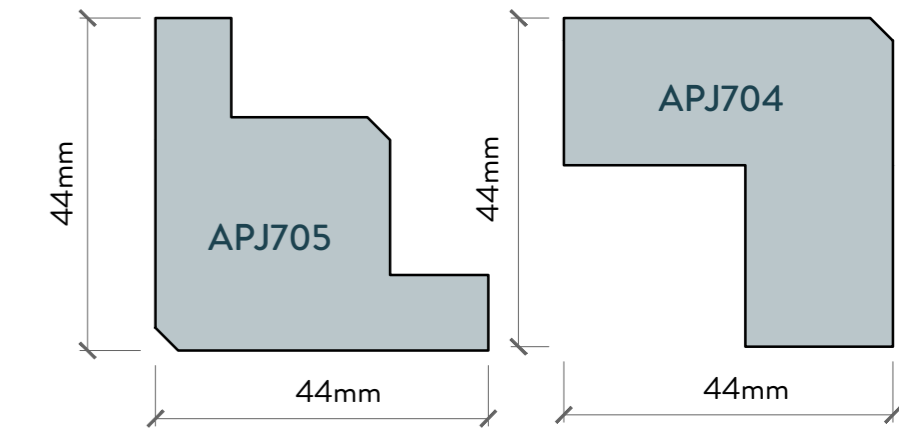
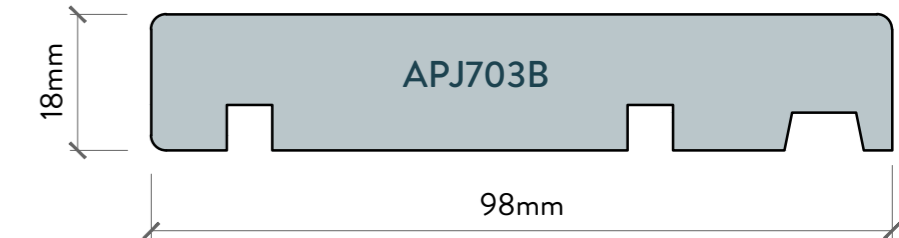
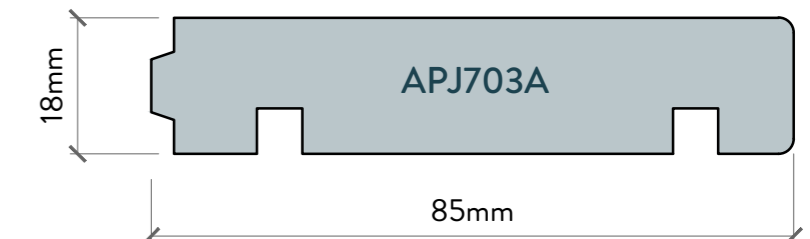
### EAVES MOULD



### INTERNAL CORNER MOULDING



### EXTERNAL CORNER MOULDINGS



\*NOTE: APJ751 to be used as corner profile only

### NOTES

- Profiles on this chart show the standard JSC Profile range.
- Recommended Fixings: 316 Stainless Steel or Silicon Bronze Annular Grooved Nails
- Paint colour Light Reflective Value (LRV) to be 45% minimum for JSC MicroPro Radiata Pine.
- Profiles are available in Band Sawn finish. Dressed finish is available depending on coating requirement.
- For paint applications, profiles with sharp edges are machined with 1.5 mm radius.
- Custom profiles available on request.
- Not all lengths are available in all profiles.
- Not all profiles or lengths are in stock.
- JSC weatherboards must be installed by a suitably qualified and experienced tradesperson in accordance with the chosen cladding specification, installation and maintenance documentation.
- Details are subject to change without notification. Refer to [www.jsc.co.nz](http://www.jsc.co.nz) for up to date documentation.

[www.jsc.co.nz](http://www.jsc.co.nz)

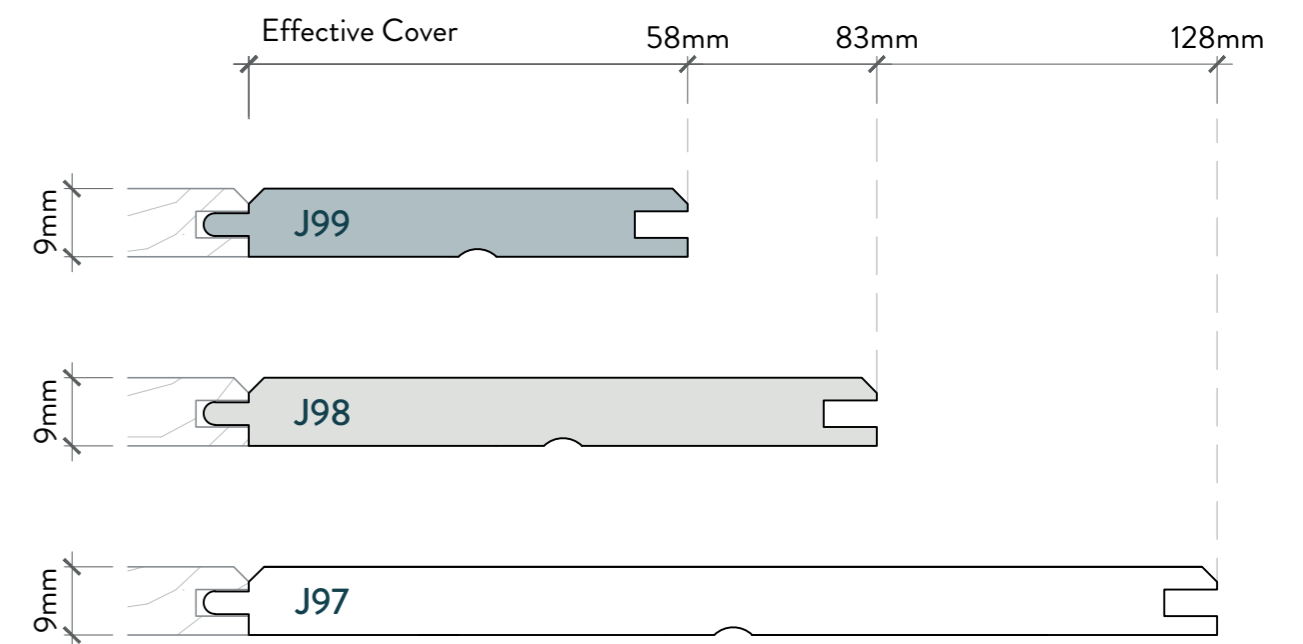
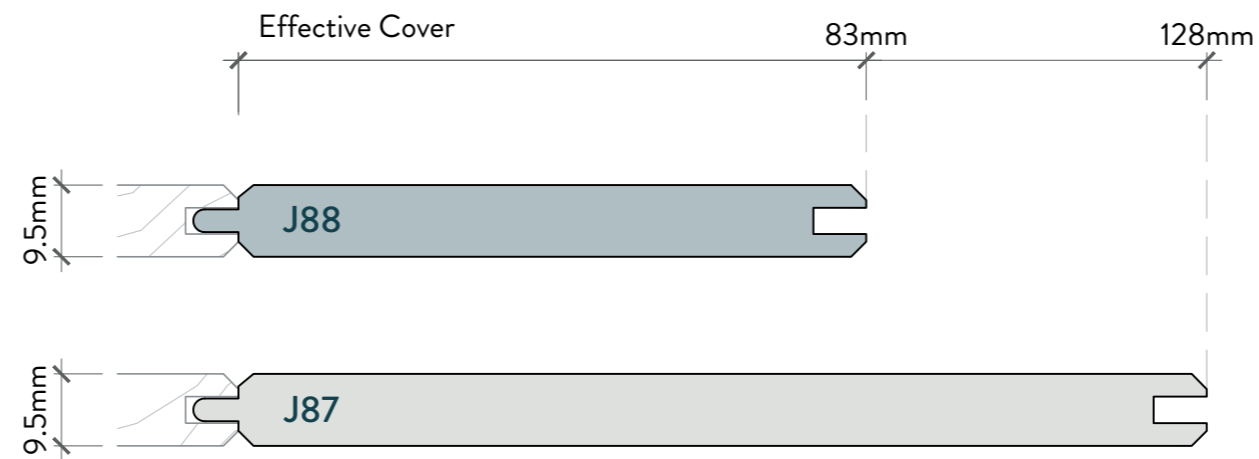
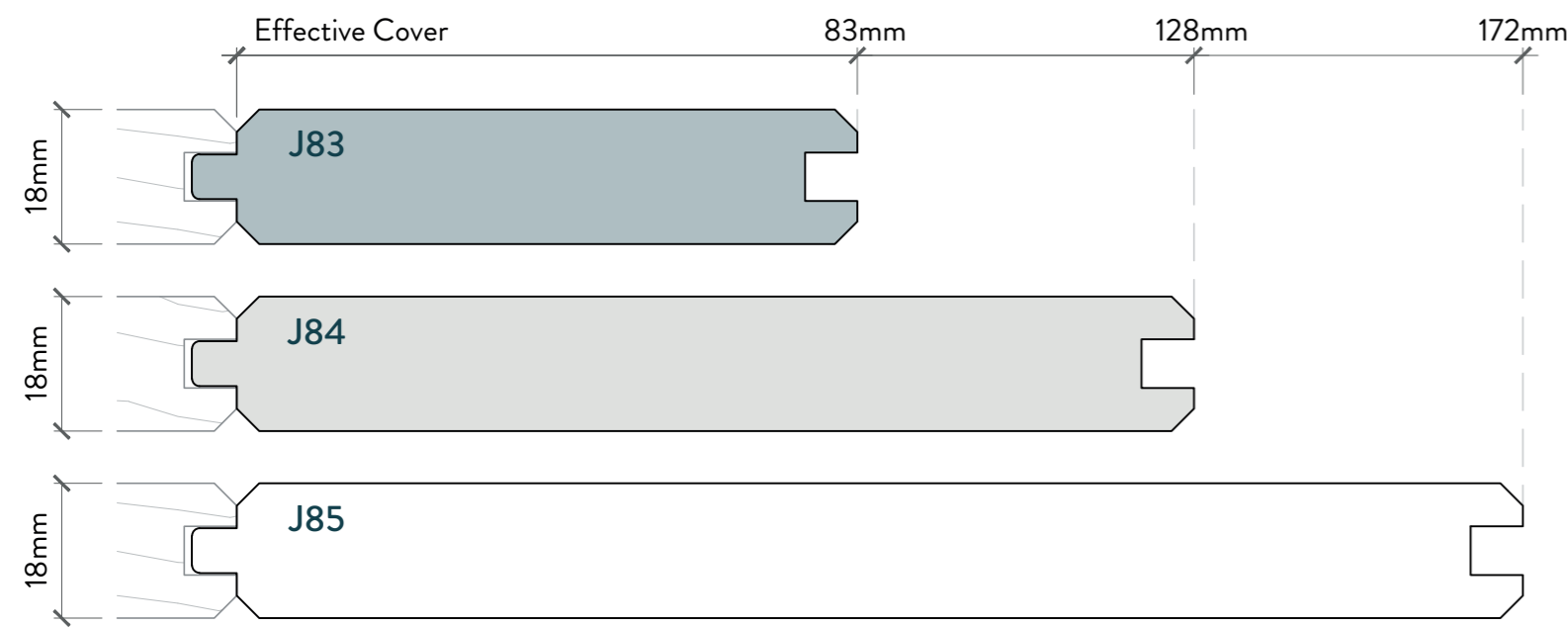
0800 57 26 88



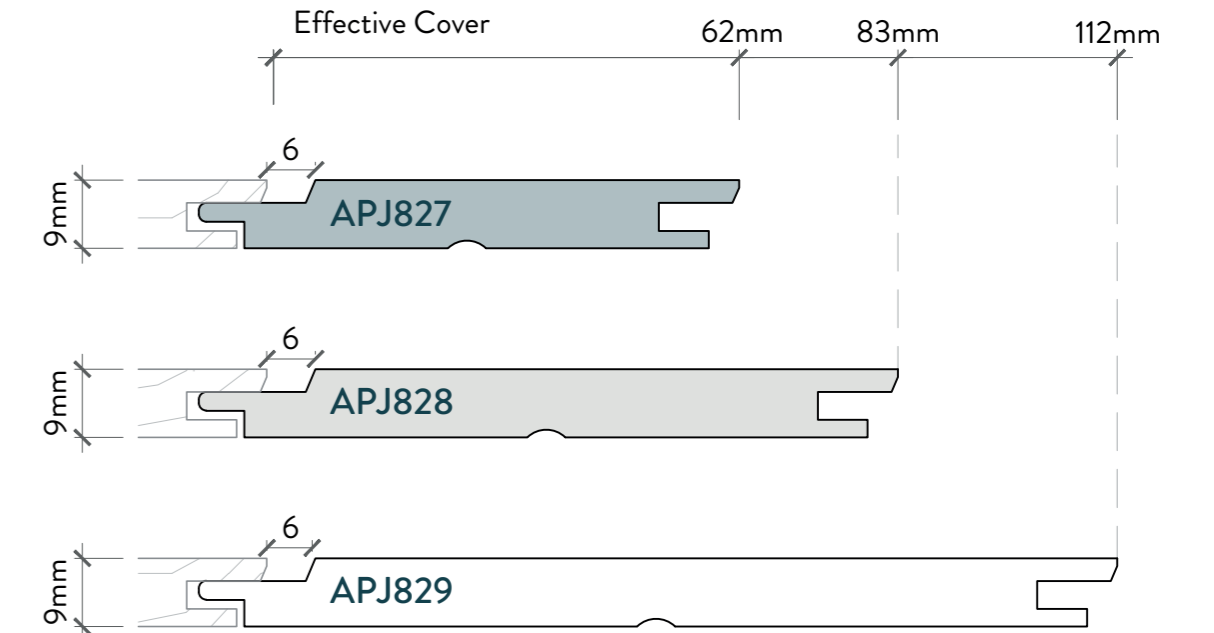
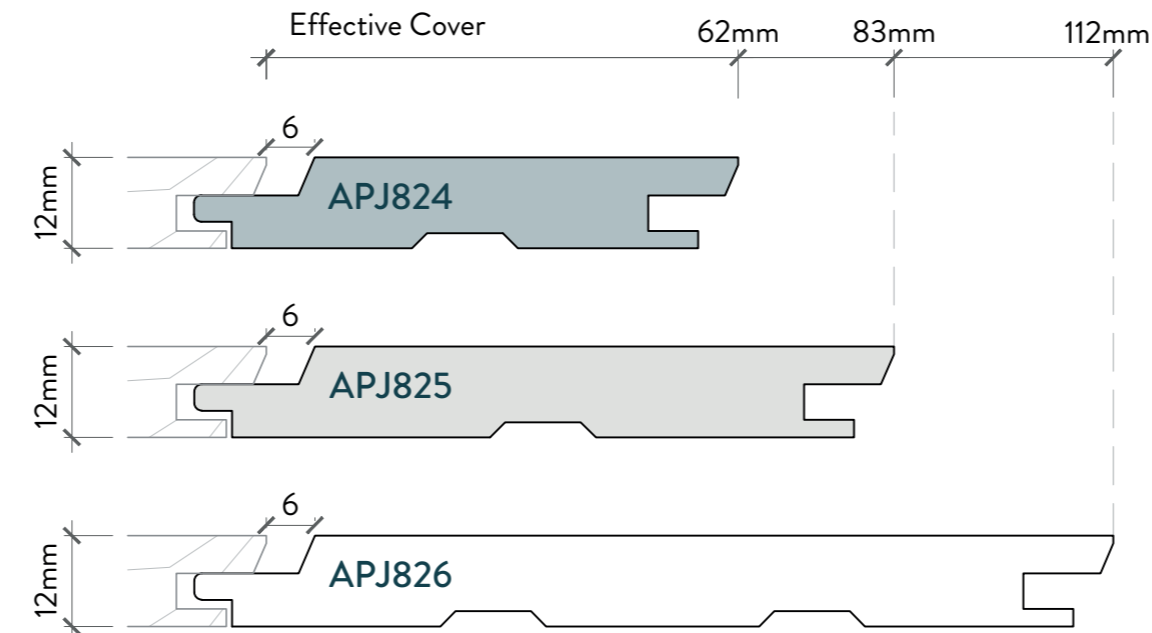
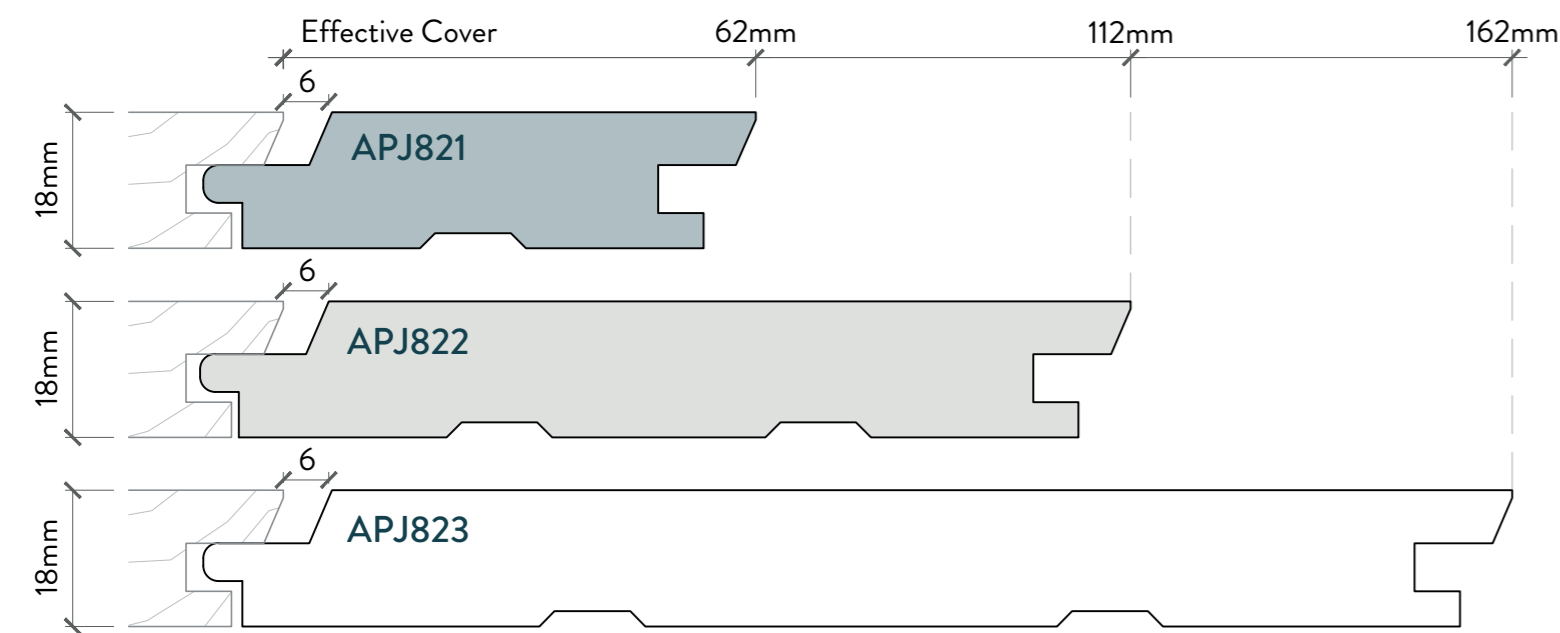


# JSC INTERIOR PANNELLING AND SARKING PROFILES

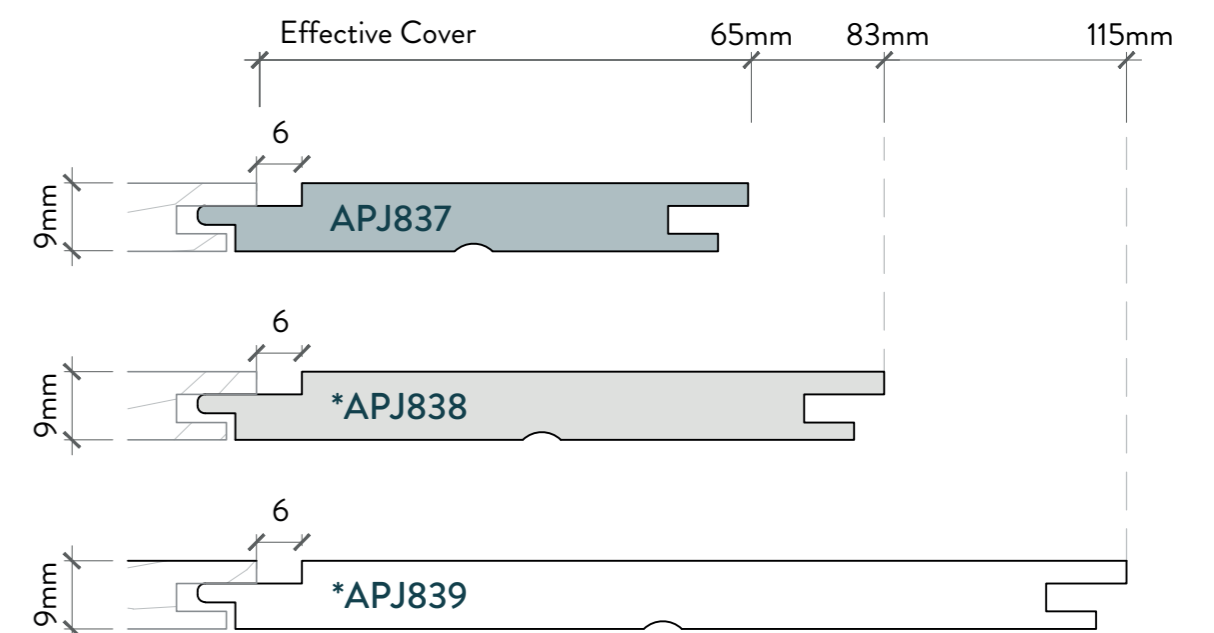
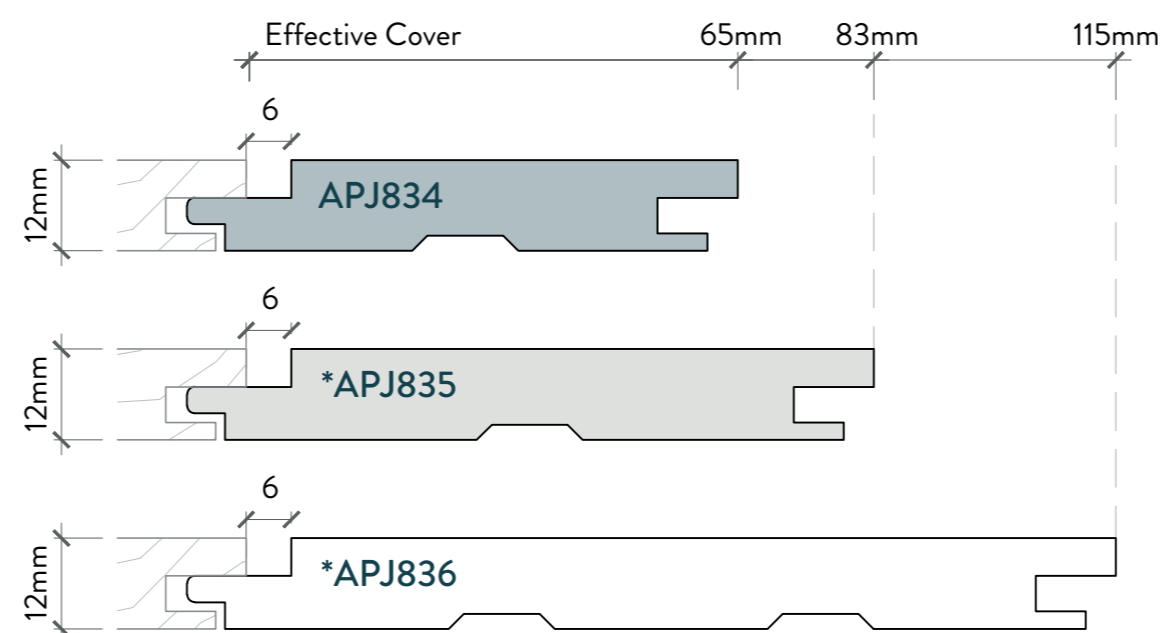
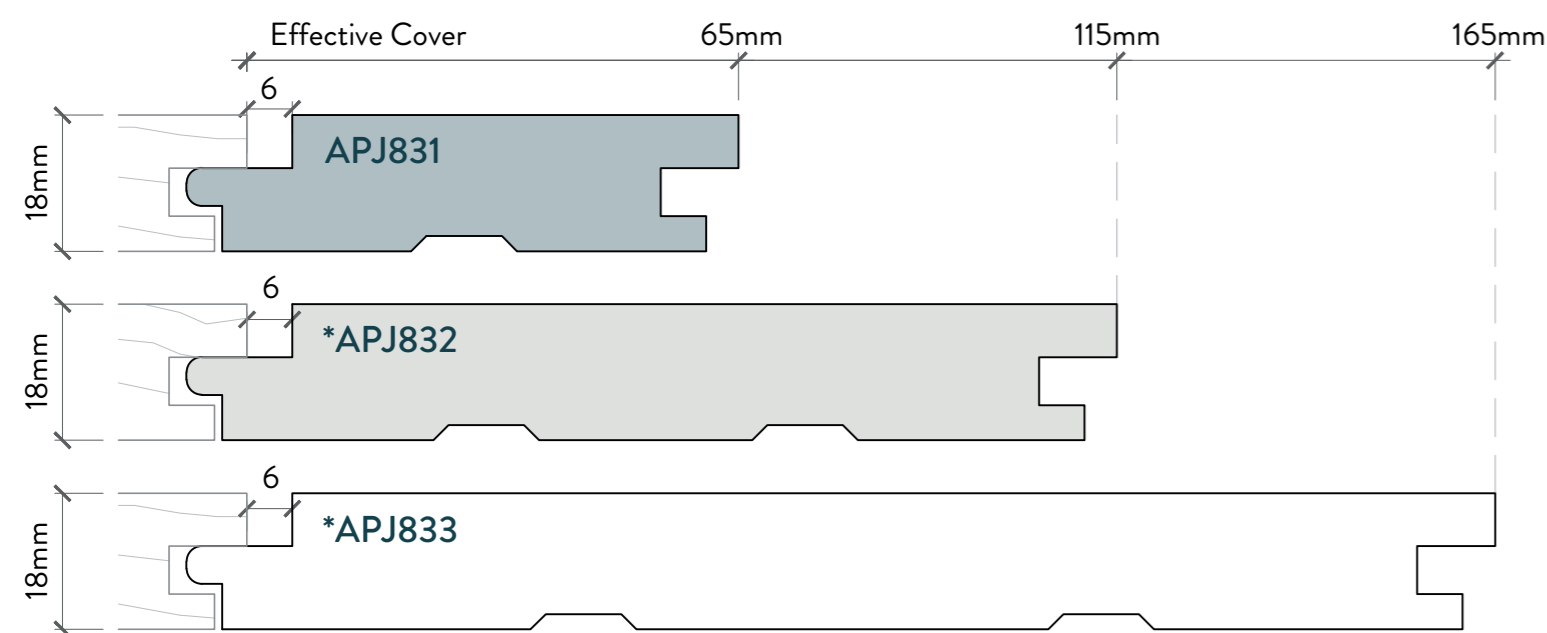
## JSC STANDARD TG&V PANNELLING PROFILES



## JSC ARCHITECTURAL PANNELLING PROFILES (MATCHING JSC RUSTICATED WEATHERBOARDS)



## JSC ARCHITECTURAL PANNELLING PROFILES (MATCHING JSC VERTICAL SHIPLAP WEATHERBOARDS)



\*Profiles can be machined to match J55 & J56

### NOTES

1. Profiles on this chart show the standard JSC Profile range.
2. Some profiles are available end matched.
3. Custom profiles available on request.
4. 9 and 9.5mm profiles are only available in Western Red Cedar.
5. Not all lengths are available in all profiles.
6. Not all profiles or lengths are in stock.
7. Some profiles can be fixed with hidden clips.
8. Some profiles can be fixed with hidden clips.
9. Details are subject to change without notification. Refer to [www.jsc.co.nz](http://www.jsc.co.nz) for up to date documentation.

[www.jsc.co.nz](http://www.jsc.co.nz)

0800 57 26 88