

ARCHITECTURAL DRAWINGS

ISSUE : 12/02/2024 | VERSION : 2.4

JSC RUSTICLAD Rusticated Weatherboards Flexible Wall Underlay 20mm Cavity Fix

GENERAL NOTES

OVERVIEW :

JSC RustiClad is a cavity based external wall cladding system comprising of:

- Timber weatherboards finished with high quality exterior grade coatings
- H3.2 treated timber castellated cavity battens
- fascia boards and moulding profiles

This documentation covers the fixing instructions for the installation of JSC rusticated weatherboards over JSC-U 20mm thick castellated cavity battens.

The information in this document has been specifically grouped in 2 different layouts to help Architects, Designers & Builders on site.

1. A3/A1 ARCHITECTURAL DRAWINGS:

Similar details are grouped in A1/A3 format that make it easier to import into the project plan.

2. A4 SITE DRAWINGS

Same information is made available on a A4 page at a larger scale for builders making it easier to read and distribute the drawings on site.

SCOPE OF USE

- This document is for use exclusively within the scope of JSC RustiClad Rusticated Weatherboard Cladding System technical documentation and Code Compliance CodeMark certificate CMNZ30081.
- Details are subject to change without notification and only the current version is compliant.
- Refer to www.jsctimber.co.nz at the time of use for the current documentation.
- The designer/specifier must be satisfied that these details are applicable for their intended use.

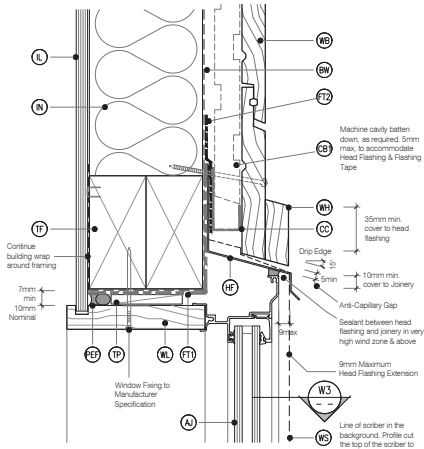
FIXING SPECIFICATION

SPECIES	FIXINGS MATERIAL
Western Red Cedar	316 Stainless Steel or Silicon Bronze annular grooved nails
Alaskan Yellow Cedar	316 Stainless Steel or Silicon Bronze annular grooved nails
Iroko	316 Stainless Steel or Silicon Bronze annular grooved nails
Radiata Pine / Nordic Pine	316 Stainless Steel or Silicon Bronze annular grooved nails
JSC-TMT® Thermally Modified Timber	
TMT TAIGA (RW/WW)	316 Stainless Steel annular grooved nails
TMT TAXON	316 Stainless Steel annular grooved nails
TMT TUSCAN	316 Stainless Steel annular grooved nails
TMT AMBA	316 Stainless Steel annular grooved nails

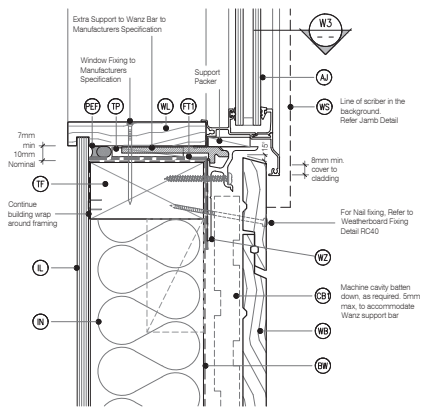
A3/A1 ARCHITECTURAL DRAWINGS INDEX

Sheet Number	Sheet Title
JSC 20CR RC00	COVER SHEET JSC RUSTICATED WB CLADDING
JSC 20CR RC15	WINDOW DETAILS - Aluminium Joinery
	RC10 - Window Head Detail
	RC11 - Window Sill Detail
	RC12 - Window Jamb Detail
	RC13 - Window Flashing Details
JSC 20CR RC25	DOOR DETAILS - Aluminium Joinery
	RC20 - Door Head Detail
	RC21 - Door Sill Detail
	RC22 - Door Jamb Detail
	RC23 - Door Flashing Details
JSC 20CR RC35	METER BOX DETAILS
	RC30 - Meter Box Head Detail
	RC31 - Meter Box Sill Detail
	RC32 - Meter Box Jamb Detail
	RC33 - Meter Box Flashing Details
JSC 20CR RC46	GENERAL DETAILS 01
	RC40 - Weatherboard Fixing Detail
	RC41 - Weatherboard Scarf Joint Detail
	RC42 - Base of Wall, Concrete Detail
	RC43 - Base of Wall, Timber Detail
	RC44 - Pipe Penetration Detail
	RC45 - 3D - Pipe Penetration Detail
JSC 20CR RC56	GENREAL DETAILS - 02
	RC50 - External Corner - Box Detail
	RC51 - 3D - External Corner Box Detail
	RC52 - External Corner - J42 Detail
	RC53 - 3D - External Corner J42 Detail
JSC 20CR RC66	GENERAL DETAILS - 03
	RC60 - Internal Corner - J44 Detail
	RC61 - 3D - Internal Corner J44 Detail
	RC62 - Internal Corner Detail
	RC63 - 3D - Internal Corner Detail
JSC 20CR RC76	GENREAL DETAILS - 04
	RC70 - Base of Wall, Membrane Roof Detail
	RC71 - Parapet Saddle Flashing - STAGE ONE
	RC72 - Parapet Saddle Flashing - STAGE TWO
	RC73 - Parapet Saddle Flashing - STAGE THREE
	RC74 - Typical Parapet - Capping Joint Details
	RC75 - Parapet Section to Membrane Roof Detail
JSC 20CR RC86	GENERAL DETAILS - 05
	RC80 - Drained Inter Storey Joint Detail
	RC81 - Apron Flashing Roof to Wall Junction Detail
	RC82 - Soffit Detail at Wall
	RC83 - Soffit Detail at Fascia
	RC84 - Parapet Detail

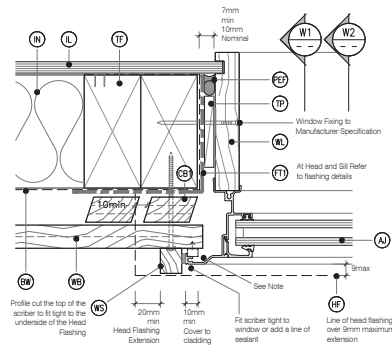




W1 WINDOW HEAD - Rusticated WB
 RC10 Cavity Fix - Aluminium Joinery - Double Glazing
 SCALE 1:2 @ A1, 1:4 @ A3



W2 WINDOW SILL - Rusticated WB
 RC11 Cavity Fix - Aluminium Joinery - Double Glazing
 SCALE 1:2 @ A1, 1:4 @ A3



W3 WINDOW JAMB - Rusticated WB
 RC12 Cavity Fix - Aluminium Joinery - Double Glazing
 SCALE 1:2 @ A1, 1:4 @ A3

DETAIL NOTES :

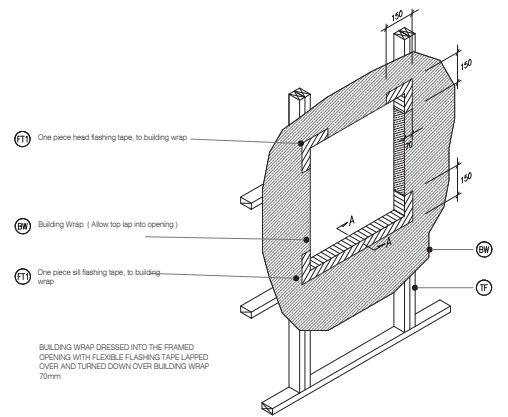
- No Scribe Option: The Aluminium Joinery must sit hard against the back of the pinyery flange and the timber weatherboards with a E.P.S Compressible bond breaker foam seal between.

LEGEND :

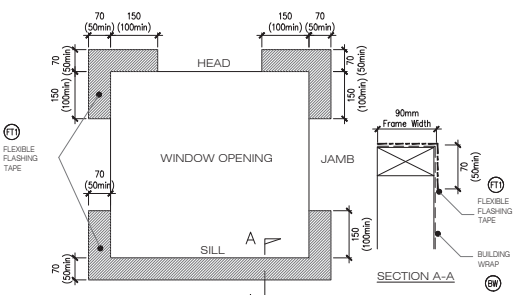
- (AJ)** ALUMINIUM JOINERY: Selected double glazed aluminium joinery. To E2/AS1 9.1.10
- (BW)** BUILDING WRAP: Flexible Wall Underlay, As per NZBC E2/AS1 - Table 23, in extra high wind zones, Rigid Underlay required (9.1.7.2, E2/AS1)
- (CB)** CAVITY BATTEN - NON STRUCTURAL: Vertically installed JSC-U 45mm x 20mm Radiata Pine H3.2 treated, both face castellated and 18° bevelled edges. Site machined to allow for flashing.
- (CC)** CAVITY CLOSURE: Cavity closure strip, positioned to give a 15mm min. drip edge to cladding
- (FT)** FLASHING TAPE: Flashing tape over wrap 70mm (50 min) turn-down required in corners only. Refer to Fig. 72 of NZBC E2/AS1
- (FZ)** FLEXIBLE FLASHING TAPE: Flexible flashing tape lapped over aluminium head flashing or 2nd layer of Building Wrap, taped joint to top of timber frame
- (HF)** HEAD FLASHING: Aluminium head flashing with minimum 15 degree fall, optional hemmed edges as per table 7 E2/AS1
- (IL)** INTERNAL LINING: Selected Internal Lining
- (IN)** INSULATION: Selected Insulation
- (PEF)** PEF ROD BACKING: Foam backing rod with sealant to cavity in Window perimeter that forms a waterproof air-seal. (Sealant 2:1 Ratio)
- (TF)** TIMBER FRAME: H1.2 min treated timber framing
- (TP)** TIMBER PACKER: Tan H3.2 Treated Packer
- (WL)** WINDOW LINER: As Specified
- (WB)** WEATHER BOARD: JSC Rusticated Weatherboard
- (WH)** WEATHERHEAD: (OPTIONAL) Selected JSC Horizontal batten above window as necessary to suit profile, shaped to shed water, sealant to back of head scribe
- (WS)** WINDOW SCRIBER: Sealant to back of scribe and 75 x 3.15mm 316 Stainless Steel nail in 3mm predrilled hole.
- (WZ)** WANZ SUPPORT: Provide window support as required by joinery manufacturer

GENERAL NOTES :

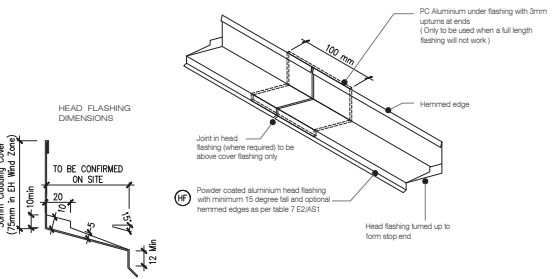
- JSC RustiClad System must be installed by a suitably qualified and experienced trade person. Where Restricted Building Work (RBW) applied the installer shall be a Licensed Building Practitioner (LBP) or supervised by LBP.
- Weatherboards must be dry and free of any contamination.
- Board lengths must be optimised prior the installation to avoid any unnecessary wastage and joints.
- Any loose or bark encased knots or other timber defects need to be removed.
- Weatherboards must be coated with exterior grade premium coating on all 4 sides in accordance with coating manufacturer specification.
- Where weatherboards have an exposed bottom edge, the back of the boards should be cut with a 15° drip edge and cut end should be coated up to 75-150mm up from the bottom edge.
- Cavity closer/vermin proofing must be installed continuously around the bottom of the cavity.
- Cavity closer/vermin proofing openings must be kept clear and unobstructed to maintain draining and venting of the cavity.
- For windows and doors, head flashing stop ends must be in place.
- Flashings at corners, doors, windows and wall intersections must be installed to prevent water from entering the cavity.



W4 TYPICAL WINDOW OPENING (FLASHING TAPE)
 RC13 SCALE : N.T.S

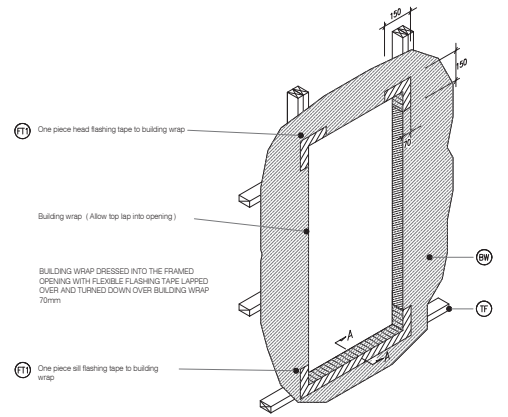
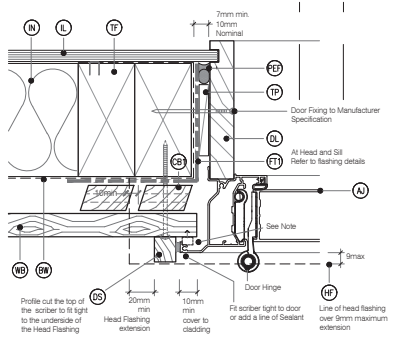
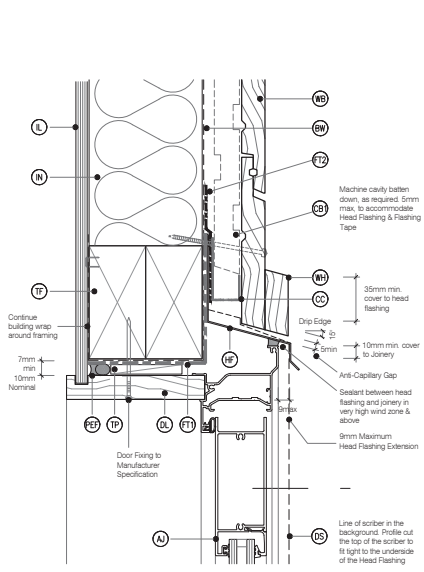


W5 FLEXIBLE BUILDING WRAP AT OPENING
 RC13 SCALE : 1 / 5 @ A1, 1 / 10 @ A3



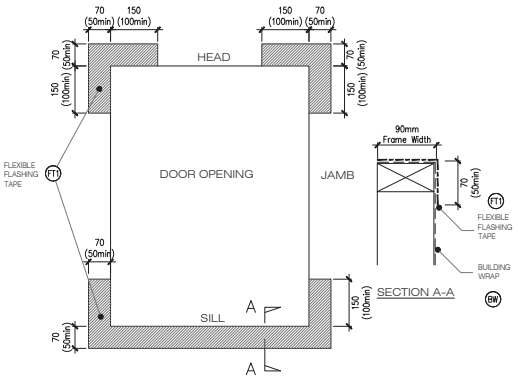
ONE PIECE PC ALUMINIUM HEAD FLASHING 15° SLOPE WITH 10mm min COVER TO JOINERY EXTEND 30mm min EITHER SIDE OF JOINERY WITH STOP ENDS

W6 TYPICAL HEAD & FLASHING JOINT
 RC13 SCALE : 1 / 2 @ A1, 1 / 4 @ A3



DETAIL NOTES :

- No Scraper Option - The Aluminium Joiney must sit hard against the back of the joiney flange and the timber weatherboards with a E.P.S Compressible bond breaker foam seal between

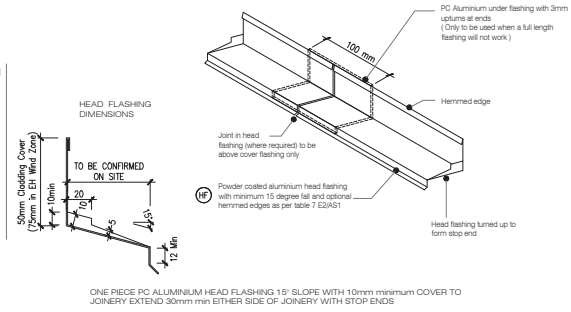
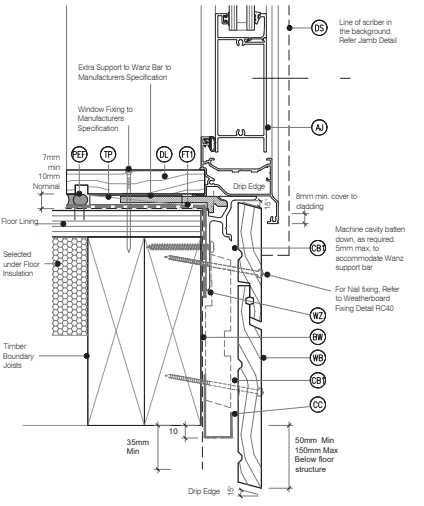


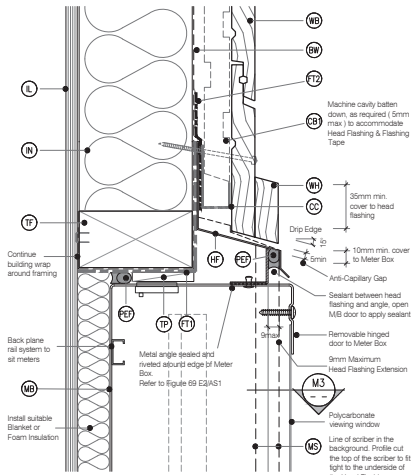
LEGEND :

- | | | |
|--|---|--|
| <ul style="list-style-type: none"> (AJ) ALUMINIUM JOINEY: Selected double glazed aluminium joiney. To E2/AS1 9.1.10 (BW) BUILDING WRAP: Flexible Wall Underlay. As per NZBC E2/AS1 - Table 23. In extra high wind zones, Rigid Underlay required (9.1.7.2 E2/AS1) (CB) CAVITY BATTEN - NON STRUCTURAL: Vertically installed JSC-U 45mm x 20mm Radiata Pine H3.2 treated, both face castellated and 18° bevelled edges. Site machined to allow for flashing. (CC) CAVITY CLOSURE: Cavity closure strip, positioned to give a 15mm Min drip edge to cladding (DS) FLASHING TAPE: Flashing tape over wrap 70mm (50 mm) turn-down required in corners only. Refer to Fig. 72 of NZBC E2/AS1 (TF) DOOR SCRIBER: Sealant to back of scriber and 75 x 3.15mm 316 Stainless Steel nail in 3mm predrilled hole. | <ul style="list-style-type: none"> (FTZ) FLEXIBLE FLASHING TAPE: Flexible flashing tape lapped over, aluminium head flashing or 2nd layer of Building Wrap, taped joint to top of timber frame (HF) HEAD FLASHING: Aluminium head flashing with minimum 15 degree fall, optional hemmed edges as per table 7 E2/AS1 (IL) INTERNAL LINING: Selected Internal Lining (IN) INSULATION: Selected Insulation (PEF) PEF ROD BACKING: Foam backing rod with sealant to cavity in Window perimeter that forms a waterproof air-seal. (Sealant 2:1 Ratio) (TP) TIMBER FRAME: H1.2 min treated timber framing | <ul style="list-style-type: none"> (TP) TIMBER PACKER: Tan H3.2 Treated Packer (WB) WEATHER BOARD: Selected JSC Rusticated Weatherboard (DL) DOOR LINER: As Specified (WB) WEATHER BOARD: JSC Rusticated Weatherboard (WH) WEATHERHEAD: (OPTIONAL) Selected JSC Horizontal batten above meter box as necessary to suit profile, shaped to shed water, sealant to back of head scriber (WZ) WANZ SUPPORT: Provide window support as required by joiney manufacturer |
|--|---|--|

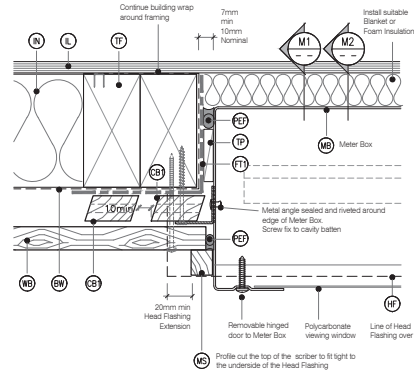
GENERAL NOTES :

- JSC RustiClad System must be installed by a suitably qualified and experienced trade person. Where Restricted Building Work (RBW) applied the installer shall be a Licensed Building Practitioner (LBP) or supervised by LBP.
- Weatherboards must be dry and free of any contamination.
- Board lengths must be optimised prior the installation to avoid any unnecessary wastage and joints.
- Any loose or bark encased knots or other timber defects need to be removed.
- Weatherboards must be coated with exterior grade premium coating on all 4 sides in accordance with coating manufacturer specification.
- Where weatherboards have an exposed bottom edge, the back of the boards should be cut with a 15° drip edge and cut end should be coated up to 75-150mm up from the bottom edge.
- Cavity closer/vermin proofing must be installed continuously around the bottom of the cavity.
- Cavity closer/vermin proofing openings must be kept clear and unobstructed to maintain draining and venting of the cavity.
- For windows and doors, head flashing stop ends must be in place.
- Flashings at corners, doors, windows and wall intersections must be installed to prevent water from entering the cavity.

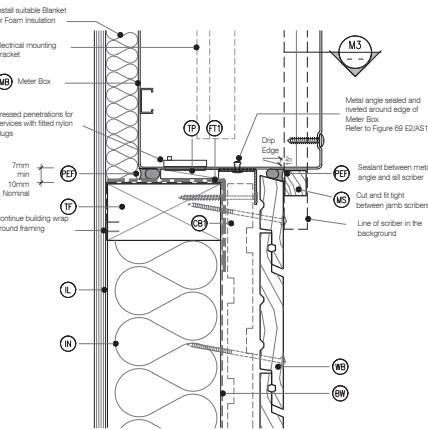




M1 METER BOX HEAD
 Cavity Fix - Rusticated WB
 SCALE 1:2 @ A1, 1:4 @ A3



M3 METER BOX JAMB
 Cavity Fix - Rusticated WB
 SCALE 1:2 @ A1, 1:4 @ A3



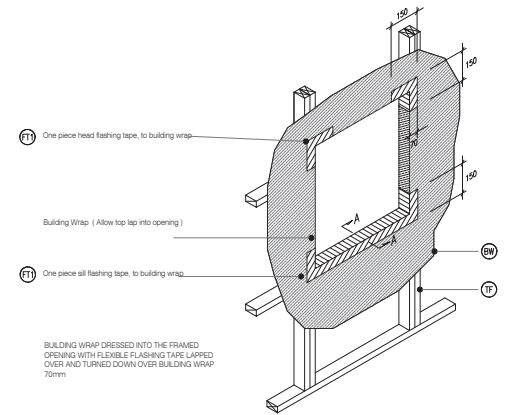
M2 METER BOX SILL
 Cavity Fix - Rusticated WB
 SCALE 1:2 @ A1, 1:4 @ A3

LEGEND :

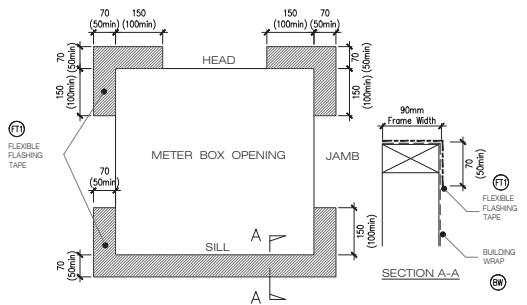
- (BW)** BUILDING WRAP: Flexible Wall Underlay, As per NZBC E2/AS1 - Table 23, in extra high wind zones, Rigid Underlay required (9.1.7.2 E2/AS1)
- (CB)** CAVITY BATTEN - NON STRUCTURAL: Horizontally installed JSC-U 45mm x 20mm Radiata Pine H3.2 treated, both face castellated and 18° bevelled edges.
- (CC)** CAVITY CLOSURE: Cavity closure strip, positioned to give a 15mm minimum drip edge to cladding
- (FT)** FLASHING TAPE: Flashing tape over wrap 70mm (50 mm) turn-down required in corners only. Refer to Fig. 72 of NZBC E2/AS1
- (FT2)** FLEXIBLE FLASHING TAPE: Flexible flashing tape lapped over aluminium head flashing or 2nd layer of Building Wrap, taped joint to top of timber frame
- (HF)** HEAD FLASHING: Aluminium head flashing with minimum 15 degree fall, optional hemmed edges as per table 7 E2/AS1
- (IL)** INTERNAL LINING: Selected Internal Lining
- (IN)** INSULATION: Selected Insulation
- (PEF)** PEF ROD BACKING: Foam backing rod with sealant to cavity in Window perimeter that forms a waterproof air-seal. (Sealant 2:1 Ratio)
- (MB)** METER BOX: Electrical meter box, with removable hinged door and polycarbonate viewing window
- (MS)** METER BOX SCRIBER: Sealant to back of scriber and 75 x 3.15mm 316 Stainless Steel nail in 3mm predrilled hole.
- (TF)** TIMBER FRAME: H1.2 min treated timber framing
- (TP)** TIMBER PACKER: Tan H3.2 Treated Packer
- (WB)** WEATHER BOARD: Selected JSC Rusticated Weatherboard
- (WL)** WINDOW LINER: As Specified
- (WH)** WEATHERHEAD (OPTIONAL): Selected JSC Horizontal batten above meter box as necessary to suit profile, shaped to shed water, sealant to back of head scriber

GENERAL NOTES :

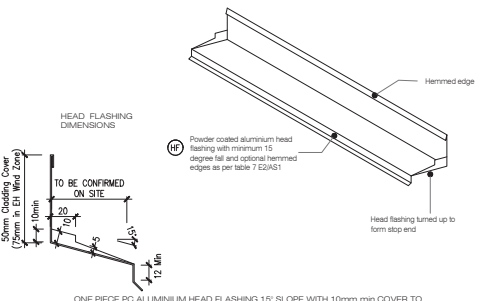
1. JSC RustiClad System must be installed by a suitably qualified and experienced trade person. Where Restricted Building Work (RBW) applied the installer shall be a Licensed Building Practitioner (LBP) or supervised by LBP.
2. Weatherboards must be dry and free of any contamination.
3. Board lengths must be optimised prior the installation to avoid any unnecessary wastage and joints.
4. Any loose or bark encased knots or other timber defects need to be removed.
5. Weatherboards must be coated with exterior grade premium coating on all 4 sides in accordance with coating manufacturer specification.
6. Where weatherboards have an exposed bottom edge, the back of the boards should be cut with a 15° drip edge and cut end should be coated up to 75-150mm up from the bottom edge.
7. Cavity closer/vermin proofing must be installed continuously around the bottom of the cavity.
8. Cavity closer/vermin proofing openings must be kept clear and unobstructed to maintain draining and venting of the cavity.
9. For windows and doors, head flashing stop ends must be in place.
10. Flashings at corners, doors, windows and wall intersections must be installed to prevent water from entering the cavity.



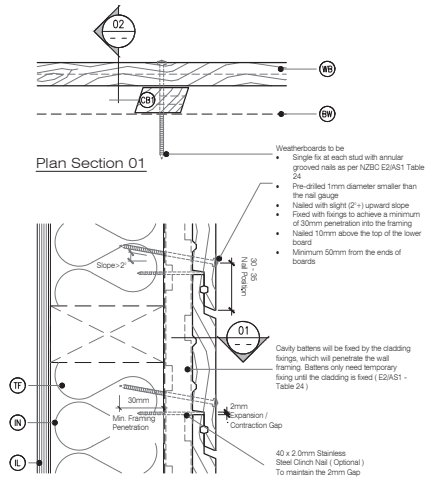
M4 TYPICAL METER BOX OPENING (FLASHING TAPE)
 SCALE : N.T.S



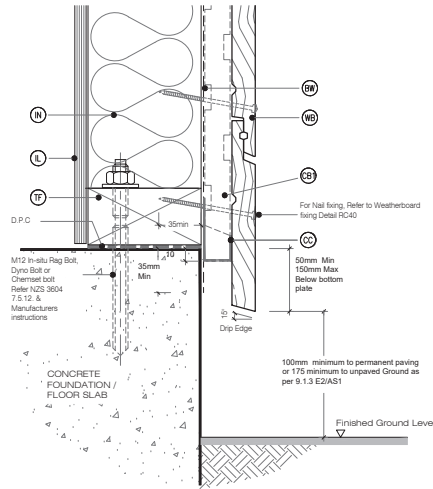
M5 FLEXIBLE BUILDING WRAP AT OPENING
 SCALE : 1 / 5 @ A1, 1 / 10 @ A3



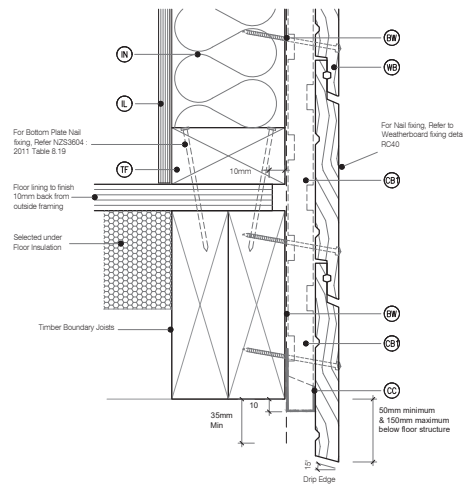
M6 TYPICAL HEAD & FLASHING JOINT
 SCALE : 1 / 2 @ A1, 1 / 4 @ A3



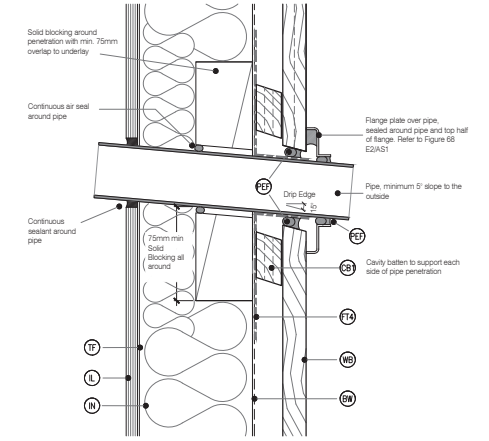
C1 WEATHERBOARD FIXING
RC40 Cavity Fix - Rusticated WB
 SCALE 1:2 @ A1, 1:4 @ A3



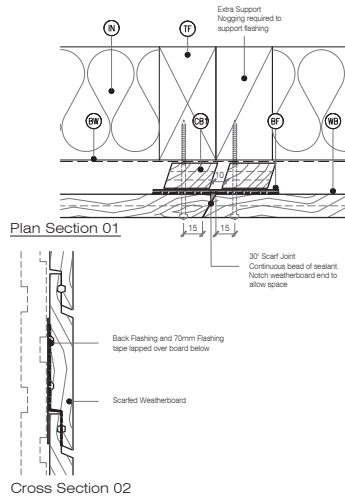
C3 BASE OF WALL, CONCRETE
RC42 Cavity Fix - Rusticated WB
 SCALE 1:2 @ A1, 1:4 @ A3



C4 BASE OF WALL, TIMBER
RC43 Cavity Fix - Rusticated WB
 SCALE 1:2 @ A1, 1:4 @ A3



C5 PIPE PENETRATION - PLAN VIEW
RC44 Cavity Fix - Rusticated WB
 SCALE 1:2 @ A1, 1:4 @ A3



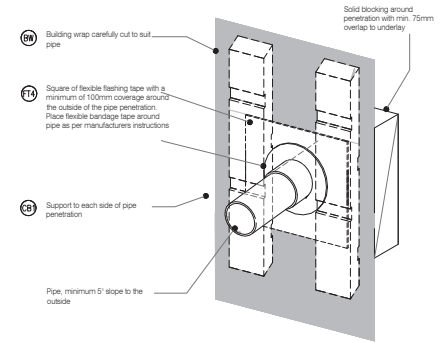
C2 WEATHERBOARD SCARF JOINT
RC41 Cavity Fix - Rusticated WB
 SCALE 1:2 @ A1, 1:4 @ A3

LEGEND :

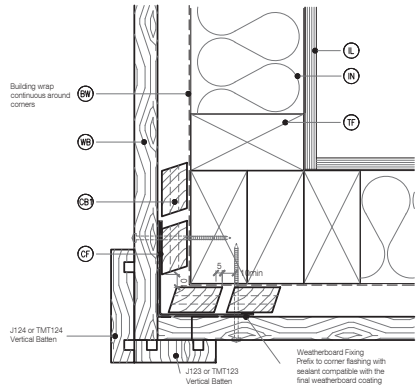
- BF** BACK FLASHING: Minimum 100mm Polypropylene or PVC rear flashing to provide 50mm cover past the scarf joint on each side
- BW** BUILDING WRAP: Flexible Wall Underlay, as per NZBC E2/AS1 - Table 23. In extra high wind zones, Rigid Underlay required (9.1.7.2 E2/AS1)
- CC** CAVITY CLOSURE: Cavity closure strip, positioned to give a 15mm minimum drip edge to cladding
- FT4** FLEXIBLE FLASHING TAPE: Flexible flashing tape lapped into corner. Refer NZBC E2/AS1 4.3.11 Flashing tape is recommended due to movement that may occur in corners. Not required by E2/AS1
- IL** INTERNAL LINING: Selected Internal Lining
- IN** INSULATION: Selected Insulation
- TF** TIMBER FRAME: H1 2 min treated timber framing
- WB** WEATHERBOARD: Selected JSC Rusticated Weatherboard

GENERAL NOTES :

- JSC RustiClad System must be installed by a suitably qualified and experienced trade person. Where Restricted Building Work (RBW) applied the installer shall be a Licensed Building Practitioner (LBP) or supervised by LBP.
- Weatherboards must be dry and free of any contamination.
- Board lengths must be optimised prior to installation to avoid any unnecessary wastage and joints.
- Any loose or bark encased knots or other timber defects need to be removed.
- Weatherboards must be coated with exterior grade premium coating on all 4 sides in accordance with coating manufacturer specification.
- Where weatherboards have an exposed bottom edge, the back of the boards should be cut with a 15° drip edge and cut end should be coated up to 75-150mm up from the bottom edge.
- Cavity closer/vermin proofing must be installed continuously around the bottom of the cavity.
- Cavity closer/vermin proofing openings must be kept clear and unobstructed to maintain draining and venting of the cavity.
- For windows and doors, head flashing stop ends must be in place.
- Flashings at corners, doors, windows and wall intersections must be installed to prevent water from entering the cavity.



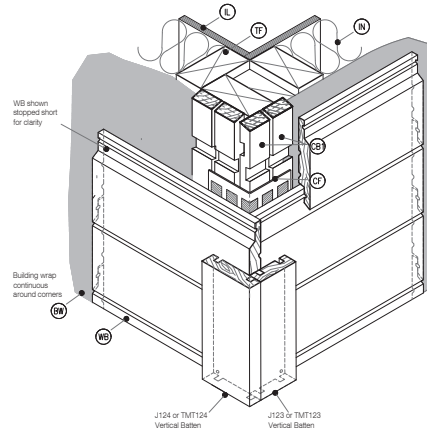
C6 3D PIPE PENETRATION
RC45 Cavity Fix - Rusticated WB
 SCALE : N.T.S



DETAIL NOTES :

1. For WH and EH wind zones a solid batten (non-castellated) is required down one significant side of the external corner to provide pressure isolation between the elevations.

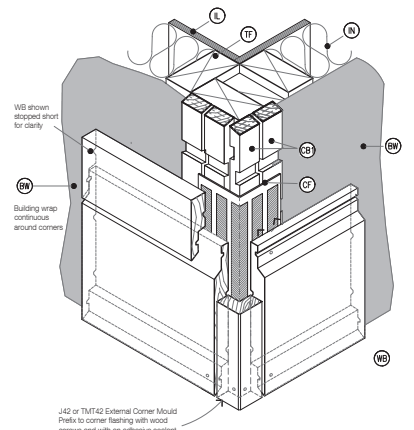
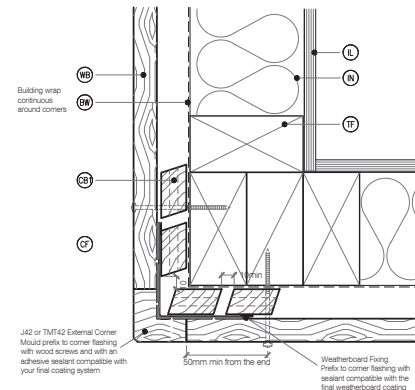
C10 EXTERNAL CORNER - J40
 RC50 Cavity Fix - Rusticated WB
 SCALE 1:2 @ A1, 1:4 @ A3



DETAIL NOTES :

1. For WH and EH wind zones a solid batten (non-castellated) is required down one significant side of the external corner to provide pressure isolation between the elevations.

C11 3D EXTERNAL CORNER - J40
 RC51 Cavity Fix - Rusticated WB
 SCALE : N.T.S



DETAIL NOTES :

1. For WH and EH wind zones a solid batten (non-castellated) is required down one significant side of the external corner to provide pressure isolation between the elevations.

C12 EXTERNAL CORNER J42
 RC52 Cavity Fix - Rusticated WB
 SCALE 1:2 @ A1, 1:4 @ A3

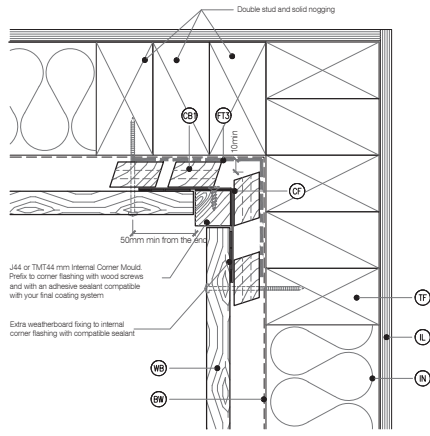
C13 3D EXTERNAL CORNER - J42
 RC53 Cavity Fix - Rusticated WB
 SCALE : N.T.S

LEGEND :

- | | | | | | | | | | | | | | | |
|--|--|---------------|------------|---------|--|--|------------|--|-------|-------|--|----------|---------|--|
| <p>(BW) BUILDING WRAP: Flexible Wall Underlay. As per NZBC E2/AS1 - Table 23. In extra high wind zones, Rigid Underlay required (9.1.7.2 E2/AS1)</p> <p>(CB) CAVITY BATTEN - NON STRUCTURAL : Vertically installed JSC-U 45mm x 20mm Radiata Pine H3.2 treated, both face castellated and 15° bevelled edges. Site machined to allow for flashing.</p> <p>(FT) FLEXIBLE FLASHING TAPE: Flexible flashing tape lapped into corner, Refer NZBC E2/AS1 4.3.11 Flashing tape is recommended due to movement that may occur in corners. Not required by E2/AS1</p> | <p>(CF) CORNER FLASHING: Aluminium, PVC or Stainless Steel corner flashing. Refer NZBC E2/AS1 Section 4.3 "Acceptable flashing materials" Minimum Flashing Size (mm) as per NZBC E2/AS1 Section 4.5.1.</p> <table border="0"> <tr> <td>FLASHING TYPE</td> <td>L,M,H & VH</td> <td>EH Wind</td> </tr> <tr> <td></td> <td></td> <td>Wind Zones</td> </tr> <tr> <td></td> <td>60x60</td> <td>75x75</td> </tr> <tr> <td></td> <td>Unhemmed</td> <td>100x100</td> </tr> </table> <p>(WB) WEATHERBOARD: Selected JSC Rusticated Weatherboard</p> | FLASHING TYPE | L,M,H & VH | EH Wind | | | Wind Zones | | 60x60 | 75x75 | | Unhemmed | 100x100 | <p>(IL) INTERNAL LINING: Selected Internal Lining</p> <p>(IN) INSULATION: Selected insulation</p> <p>(TF) TIMBER FRAME: H1.2 min treated timber framing</p> |
| FLASHING TYPE | L,M,H & VH | EH Wind | | | | | | | | | | | | |
| | | Wind Zones | | | | | | | | | | | | |
| | 60x60 | 75x75 | | | | | | | | | | | | |
| | Unhemmed | 100x100 | | | | | | | | | | | | |

GENERAL NOTES :

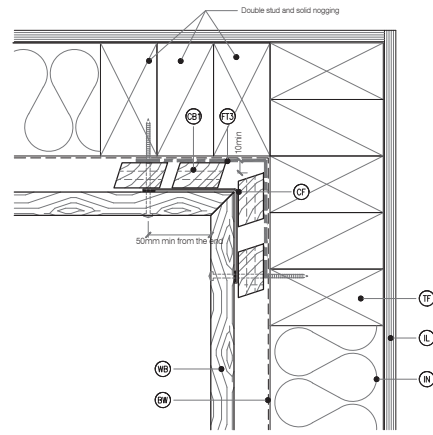
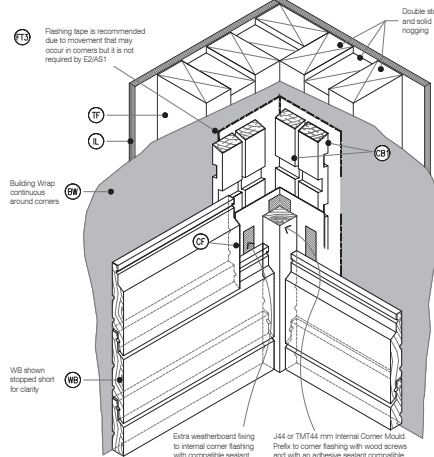
1. JSC RustiClad System must be installed by a suitably qualified and experienced trade person. Where Restricted Building Work (RBW) applied the installer shall be a Licensed Building Practitioner (LBP) or supervised by LBP.
2. Weatherboards must be dry and free of any contamination.
3. Board lengths must be optimised prior the installation to avoid any unnecessary wastage and joints.
4. Any loose or bark encased knots or other timber defects need to be removed.
5. Weatherboards must be coated with exterior grade premium coating on all 4 sides in accordance with coating manufacturer specification.
6. Where weatherboards have an exposed bottom edge, the back of the boards should be cut with a 15° drip edge and cut end should be coated up to 75-150mm up from the bottom edge.
7. Cavity closer/vermin proofing must be installed continuously around the bottom of the cavity.
8. Cavity closer/vermin proofing openings must be kept clear and unobstructed to maintain draining and venting of the cavity.
9. For windows and doors, head flashing stop ends must be in place.
10. Flashings at corners, doors, windows and wall intersections must be installed to prevent water from entering the cavity.



DETAIL NOTES :

1. Flashing tape is recommended due to movement that may occur in corners but it is not required by E2/AS1
2. Aluminium extrusion must not be continuous over solid floor joists.

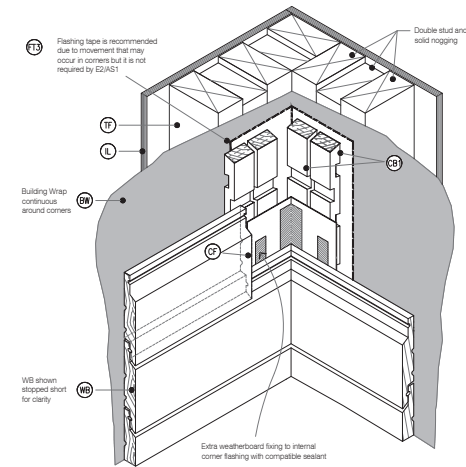
C16 INTERNAL CORNER - J44
RC60 Cavity Fix - Rusticated WB
 SCALE : 1:2 @ A1, 1:4 @ A3



DETAIL NOTES :

1. Flashing tape is recommended due to movement that may occur in corners but it is not required by E2/AS1
2. Aluminium extrusion must not be continuous over solid floor joists.

C18 INTERNAL CORNER
RC62 Cavity Fix - Rusticated WB
 SCALE : 1:2 @ A1, 1:4 @ A3



C19 3D INTERNAL CORNER
RC63 Cavity Fix - Rusticated WB
 SCALE : N.T.S

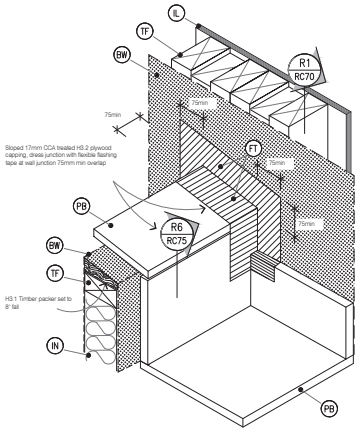
LEGEND :

- (WB)** BUILDING WRAP: Flexible Wall Underlay, As per NZBC E2/AS1 - Table 23, In extra high wind zones, Rigid Underlay required (9.1.7.2 E2/AS1)
- (CB)** CAVITY BATTEN - NON STRUCTURAL: Vertically installed JSC-U 45mm x 20mm Radiata Fine H3.2 treated, both face castellated and 18° bevelled edges. Site machined to allow for flashing.
- (FT)** FLEXIBLE FLASHING TAPE: Flexible flashing tape lapped into corner. Refer NZBC E2/AS1 4.3.11 Flashing tape is recommended due to movement that may occur in corners. Not required by E2/AS1
- (CF)** CORNER FLASHING: Aluminium, PVC or Stainless Steel corner flashing. Refer NZBC E2/AS1 Section 4.3 'Acceptable flashing materials' Minimum Flashing Size (mm) as per NZBC E2/AS1 Section 4.5.1:

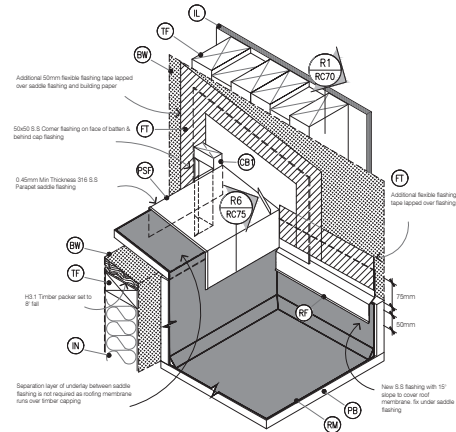
FLASHING TYPE	L, M, H & VH Wind Zones	EH Wind Zones
Hemmed	50x50	75x75
Unhemmed	75x75	100x100
- (WB)** WEATHERBOARD: Selected JSC Rusticated Weatherboard
- (IL)** INTERNAL LINING: Selected Internal Lining
- (IN)** INSULATION: Selected Insulation
- (TF)** TIMBER FRAME: H1.2 min treated timber framing

GENERAL NOTES :

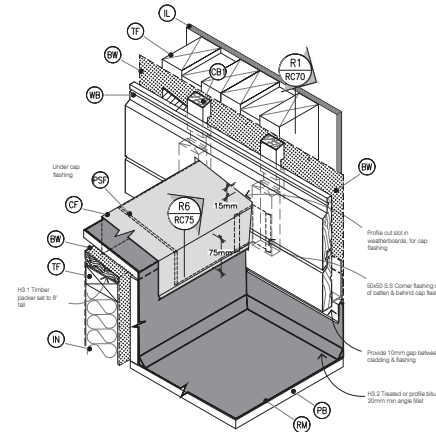
1. JSC RustiClad System must be installed by a suitably qualified and experienced trade person. Where Restricted Building Work (RBW) applied the installer shall be a Licensed Building Practitioner (LBP) or supervised by LBP.
2. Weatherboards must be dry and free of any contamination.
3. Board lengths must be optimised prior the installation to avoid any unnecessary wastage and joints.
4. Any loose or bark encased knots or other timber defects need to be removed.
5. Weatherboards must be coated with exterior grade premium coating on all 4 sides in accordance with coating manufacturer specification.
6. Where weatherboards have an exposed bottom edge, the back of the boards should be cut with a 15° drip edge and out end should be coated up to 75-150mm up from the bottom edge.
7. Cavity closer/vermin proofing must be installed continuously around the bottom of the cavity.
8. Cavity closer/vermin proofing openings must be kept clear and unobstructed to maintain draining and venting of the cavity.
9. For windows and doors, head flashing stop ends must be in place.
10. Flashings at corners, doors, windows and wall intersections must be installed to prevent water from entering the cavity.



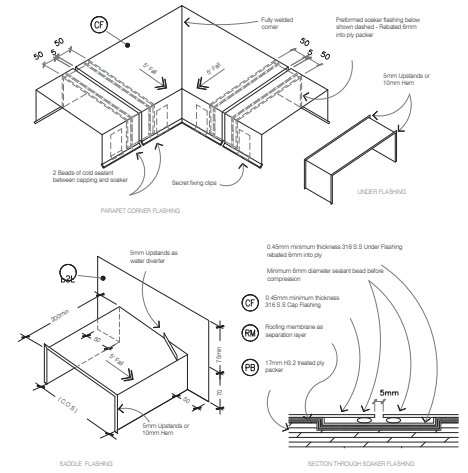
STAGE ONE



STAGE TWO



STAGE THREE



TYPICAL PARAPET CAPPING JOINT DETAILS
R5
R74
Cavity Fix - Rusticated WB
SCALE 1:5 @ A1, 1:10 @ A3

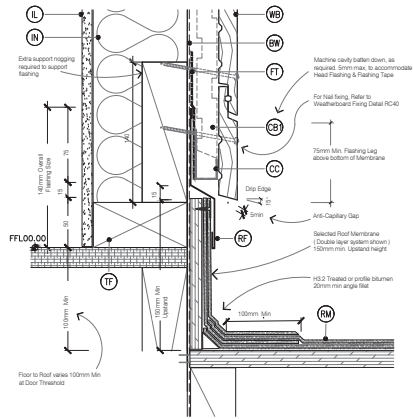
R2
R71
DECK OR ROOF MEMBRANE
PARAPET SADDLE FLASHING
Cavity Fix - Rusticated WB
SCALE 1:5 @ A1, 1:10 @ A3

LEGEND:

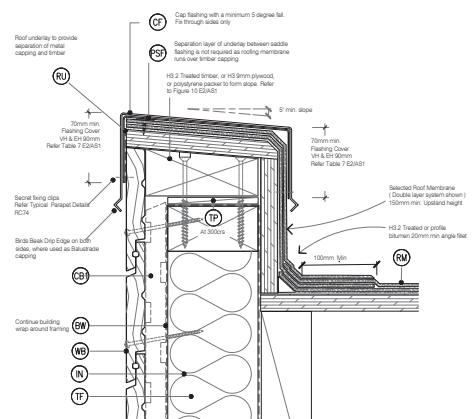
- (BW) BUILDING WRAP: Flexible Wall Underlay. As per NZBC E2/AS1 - Table 23, In extra high wind zones, Rigid Underlay required (9.1.7.2 E2/AS1)
- (CB) CAVITY BATTEN - NON STRUCTURAL: Horizontally installed JSC-U 45mm x 20mm Radiata Pine H3.2 treated, both face castellated and 18° bevelled edges.
- (CC) CAVITY CLOSURE: Cavity closure strip, positioned to give a 15mm Min drip edge to cladding.
- (CF) CAP FLASHING: Continuous parapet flashing. Materials as per E2/AS1 4.3 + Figure 9 & Table 7
- (FT) FLASHING TAPE: As per E2/AS1 4.3.11
- (IL) INTERNAL LINING: Selected Internal Lining
- (IN) INSULATION: Selected Insulation
- (PSF) PARAPET SADDLE FLASHING: Materials as per E2/AS1 4.0, refer E2/AS1 Figure 11 & 12, Typically 0.45mm Min 316 Stainless Steel. Refer Table 20 & Table 21 for Comparability of Materials in Contact
- (PB) PLYWOOD BACKING: 17mm OCA treated H3.2 grade plywood substrate
- (RM) ROOFING MEMBRANE: Selected System on 17mm OCA treated H3.2 grade plywood glued and screwed to rafters. Roof Membrane requires 400mm solid block support each way & solid support to all sheet edges
- (TF) TIMBER FRAME: H1.2 min treated timber framing
- (WB) WEATHERBOARD: Selected JSC Rusticated Weatherboard

GENERAL NOTES:

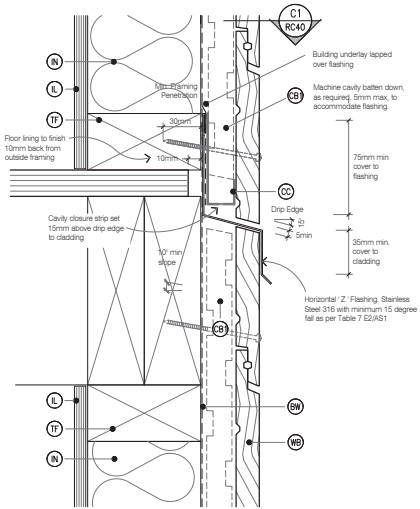
1. JSC RustiClad System must be installed by a suitably qualified and experienced trade person. Where Restricted Building Work (RBW) applied the installer shall be a Licensed Building Practitioner (LBP) or supervised by LBP.
2. Weatherboards must be dry and free of any contamination.
3. Board lengths must be optimised prior to the installation to avoid any unnecessary wastage and joints.
4. Any loose or bark encased knots or other timber defects need to be removed.
5. Weatherboards must be coated with exterior grade premium coating on all 4 sides in accordance with coating manufacturer specification.
6. Where weatherboards have an exposed bottom edge, the back of the boards should be cut with a 15° drip edge and cut end should be coated up to 75-150mm up from the bottom edge.
7. Cavity closer/vermin proofing must be installed continuously around the bottom of the cavity.
8. Cavity closer/vermin proofing openings must be kept clear and unobstructed to maintain draining and venting of the cavity.
9. For windows and doors, head flashing stop ends must be in place.
10. Flashings at corners, doors, windows and wall intersections must be installed to prevent water from entering the cavity.



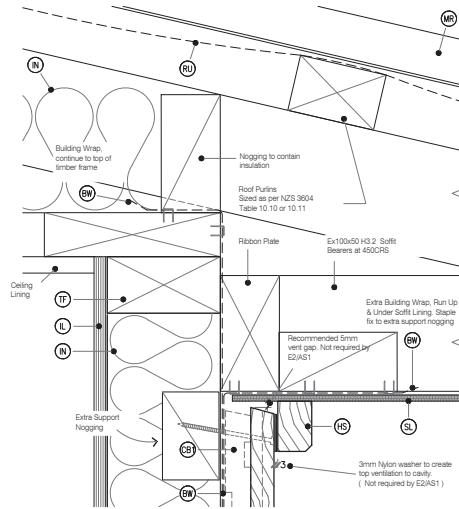
R1
R70
BASE OF WALL, MEMBRANE ROOF
Cavity Fix - Rusticated WB
SCALE 1:2.5 @ A1, 1:5 @ A3



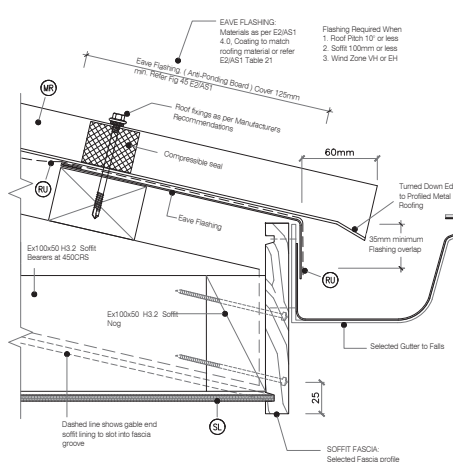
R6
R75
PARAPET SECTION TO
MEMBRANE ROOF
Cavity Fix - Rusticated WB
SCALE 1:2.5 @ A1, 1:5 @ A3



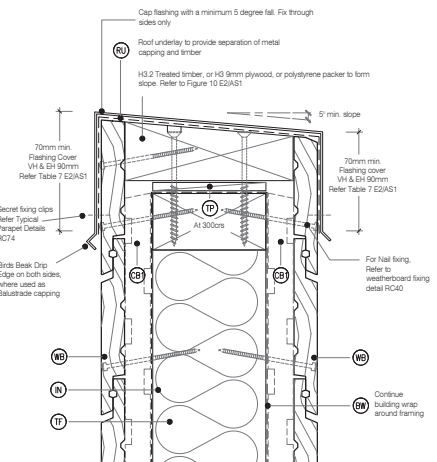
C17 DRAINED INTER-STOREY JOINT
RC80 Cavity Fix - Rusticated WB
 SCALE 1:2 @ A1, 1:4 @ A3



C18 SOFFIT DETAIL AT WALL
RC82 Cavity Fix - Rusticated WB
 SCALE 1:2 @ A1, 1:4 @ A3



C19 SOFFIT DETAIL AT FASCIA
RC83 Cavity Fix - Rusticated WB
 SCALE 1:2 @ A1, 1:4 @ A3



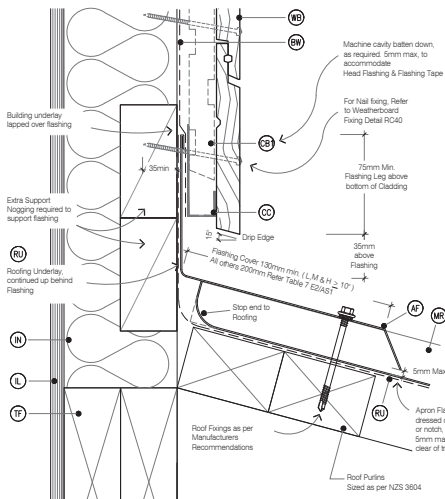
C21 BALUSTARDE CAPPING OR PARAPET DETAIL
RC84 Cavity Fix - Rusticated WB
 SCALE 1:2 @ A1, 1:4 @ A3

LEGEND :

- (AF)** APRON FLASHING: Materials as per E2/AS1 4.0, Coating to match roofing material or refer E2/AS1 Table 21. Flashing Cover 130mm min. (L.M & H \geq 10') All others 200mm Refer Table 7 E2/AS1
- (BW)** BUILDING WRAP: Flexible Wall Underlay, As per NZBC E2/AS1 - Table 23, In extra high wind zones, Rigid Underlay required (9.1.7.2 E2/AS1)
- (CB)** CAVITY BATTEN - NON STRUCTURAL: Vertically installed JSC-U 45mm x 20mm Radiata Pine H3.2 treated, both face castellated and 18° bevelled edges.
- (CC)** CAVITY CLOSURE: Cavity closure strip, positioned to give a 15mm Min drip edge to cladding
- (IL)** INTERNAL LINING: Selected Internal Lining
- (IN)** INSULATION: Selected Insulation
- (HS)** HEAD SOFFIT SCRIBER: JSC 27 mm x 40 mm Fix with 75 x 3.15mm 316 S.S nail in 2.5mm predrilled hole
- (MR)** METAL ROOFING: Selected Metal Roofing
- (SL)** SOFFIT LINING: JSC Soffit Lining
- (TF)** TIMBER FRAME: H1.2 min treated timber framing
- (TP)** TIMBER PACKER: H3.2 Treated at 300cs to allow ventilation over the top of the wall.
- (RU)** ROOFING UNDERLAY: Selected Roofing Underlay As Per AS/AZS4200 with Mesh or Self Supported
- (WB)** WEATHERBOARD: Selected JSC Rusticated Weatherboard

GENERAL NOTES :

1. JSC RustiClad System must be installed by a suitably qualified and experienced trade person. Where Restricted Building Work (RBW) applied the installer shall be a Licensed Building Practitioner (LBP) or supervised by LBP.
2. Weatherboards must be dry and free of any contamination.
3. Board lengths must be optimised prior the installation to avoid any unnecessary wastage and joints.
4. Any loose or bark encased knots or other timber defects need to be removed.
5. Weatherboards must be coated with exterior grade premium coating on all 4 sides in accordance with coating manufacturer specification.
6. Where weatherboards have an exposed bottom edge, the back of the boards should be cut with a 15° drip edge and cut end should be coated up to 75-150mm up from the bottom edge.
7. Cavity closer/vermin proofing must be installed continuously around the bottom of the cavity.
8. Cavity closer/vermin proofing openings must be kept clear and unobstructed to maintain draining and venting of the cavity.
9. For windows and doors, head flashing stop ends must be in place.
10. Flashings at corners, doors, windows and wall intersections must be installed to prevent water from entering the cavity.



C18 APRON FLASHING ROOF TO WALL JUNCTION
RC81 Cavity Fix - Rusticated WB
 SCALE 1:2 @ A1, 1:4 @ A3