



PREMIUM ARCHITECTURAL & BUILDING SOLUTIONS

www.jsc.co.nz

0800 57 26 88

COMPARABLE PROFILE TABLE

FOR SIMILAR PROFILES AND THICKNESS OPTIONS REFER TO TABLE BELOW:

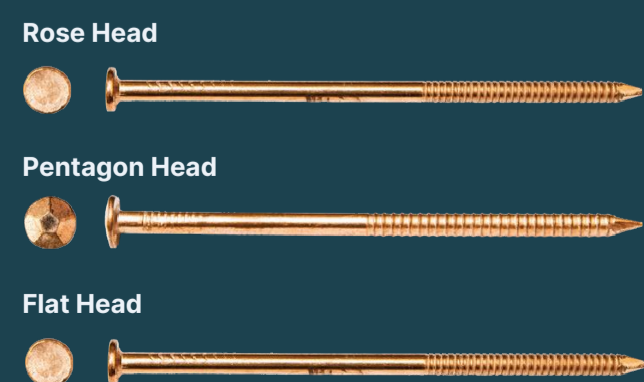
WESTERN RED CEDAR	JSC-TMT	H3.2 RADIATA PINE
STANDARD THICKNESS		
18.5mm	18.5mm	20mm
VERTICAL SHIPLAP WEATHERBOARDS		
APJ341	TMT341	APJ730
APJ361	*N/A	APJ731
APJ381	*N/A	*Custom
J55	TMT55	*Custom
J56	TMT56	*Custom
APJ49	TMT49	APJ732
J51	TMT51	APJ733
J52	TMT52	APJ736
BOARD & BATTEN WEATHERBOARDS		
J123	TMT123	APJ750
J124**	TMT124**	APJ751**
J120	TMT120	APJ752
J121	TMT121	APJ753
HORIZONTAL RUSTICATED WEATHERBOARDS		
APJ241	TMT524	*Custom
APJ261	TMT526	*Custom
APJ281	TMT528	*Custom
J67	*Custom	APJ723
J68	*Custom	APJ724
APJ262	*Custom	*Custom
APJ282	*Custom	*Custom
BEVEL BACK WEATHERBOARDS		
J61	TMT501	APJ741
J62	TMT502	APJ742

*Custom = Made to order custom profile
 *N/A = Not available
 ** = To be used as corner profile only

NOTE: Equivalent profiles may vary in size from specie to specie. Check with us for critical measurements.

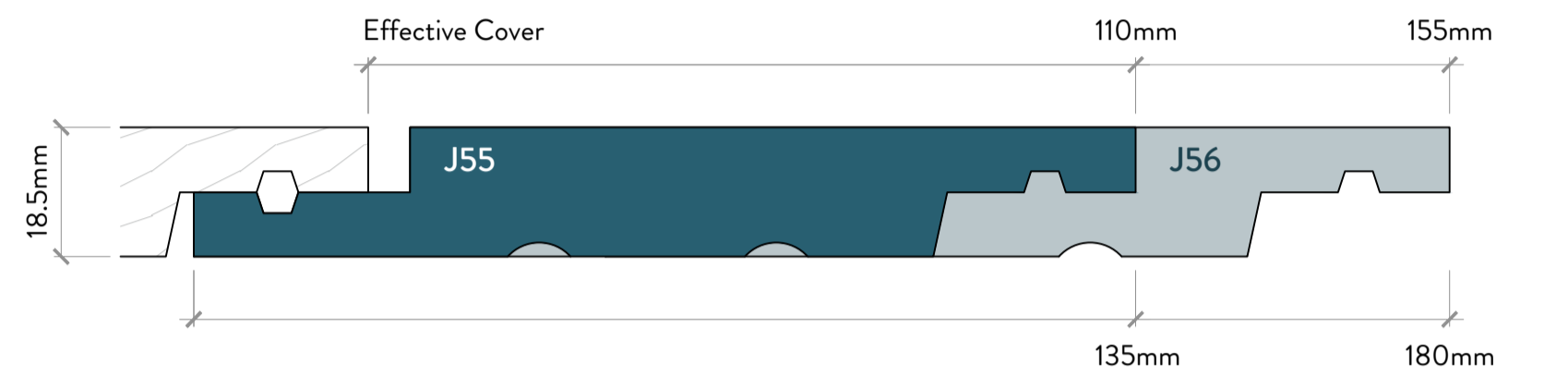
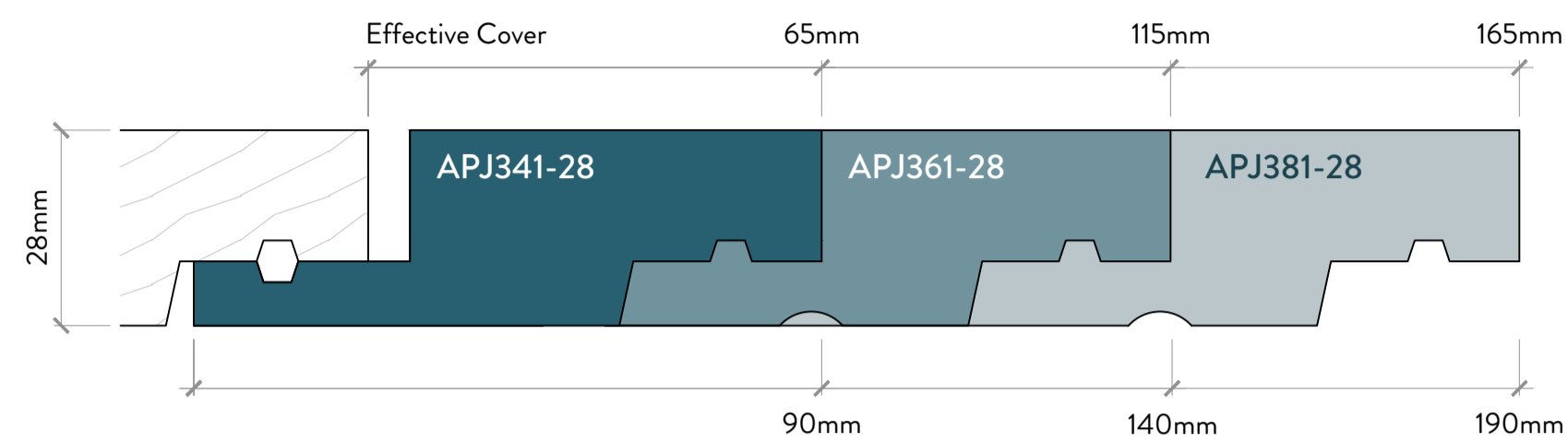
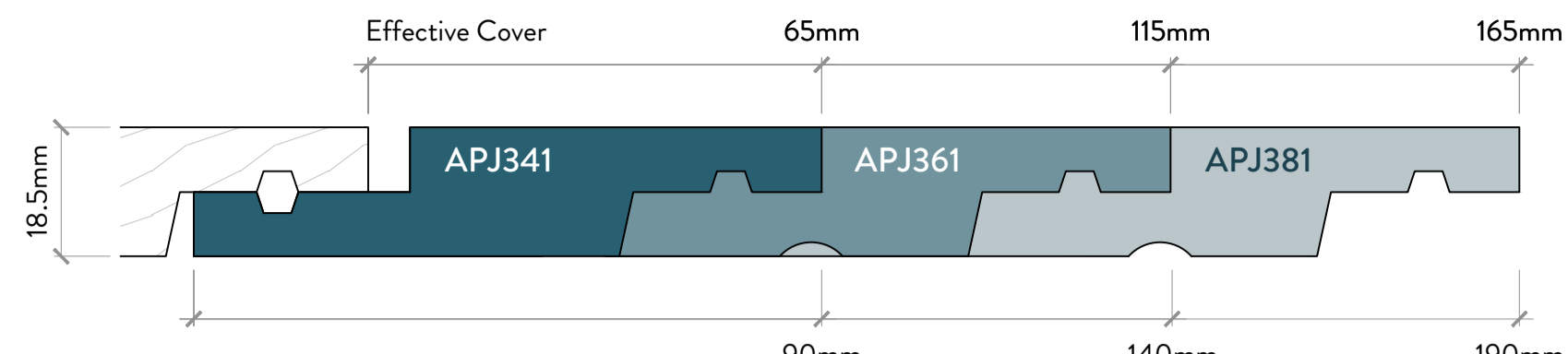
FIXINGS (Not to Scale)

316 Stainless Steel or Silicon Bronze Annular Grooved Nails

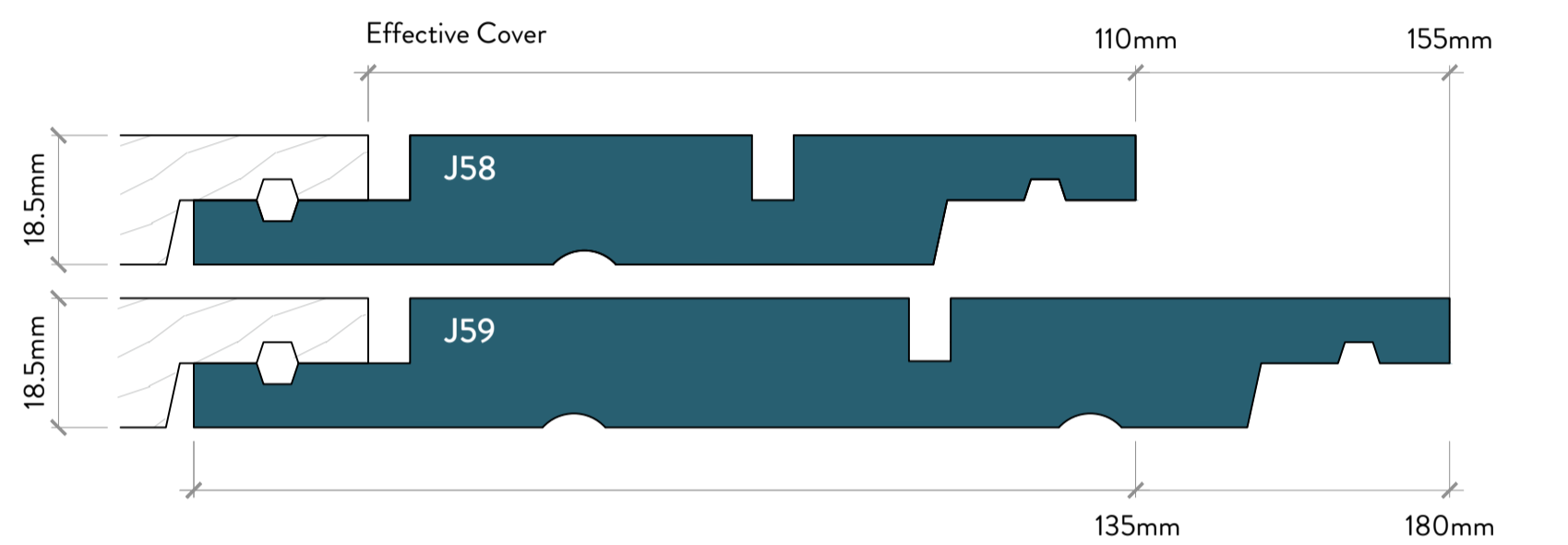


VERTICAL SHIPLAP WEATHERBOARDS

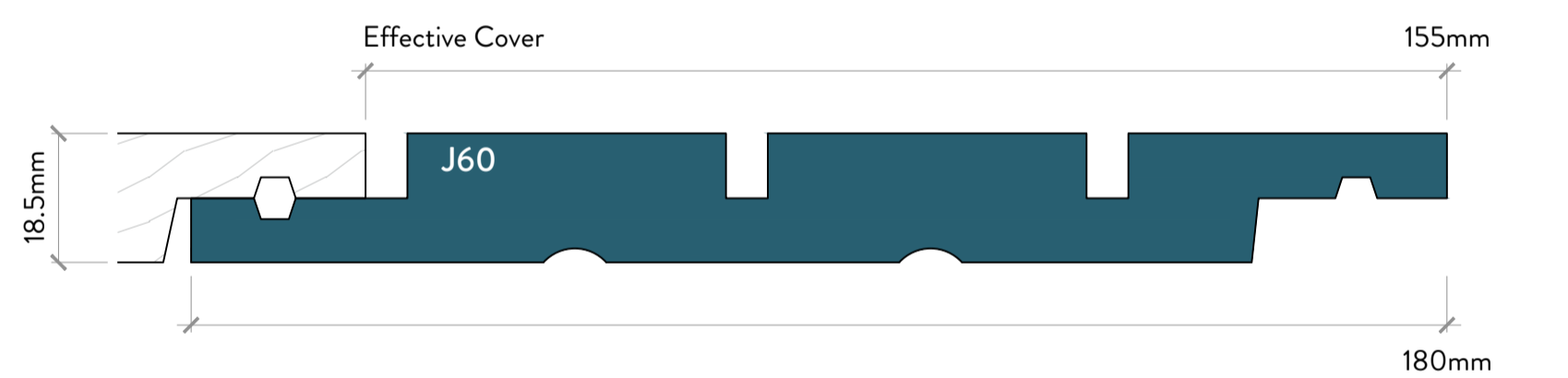
SQUARE EDGES PROFILES - 6mm CHANNEL



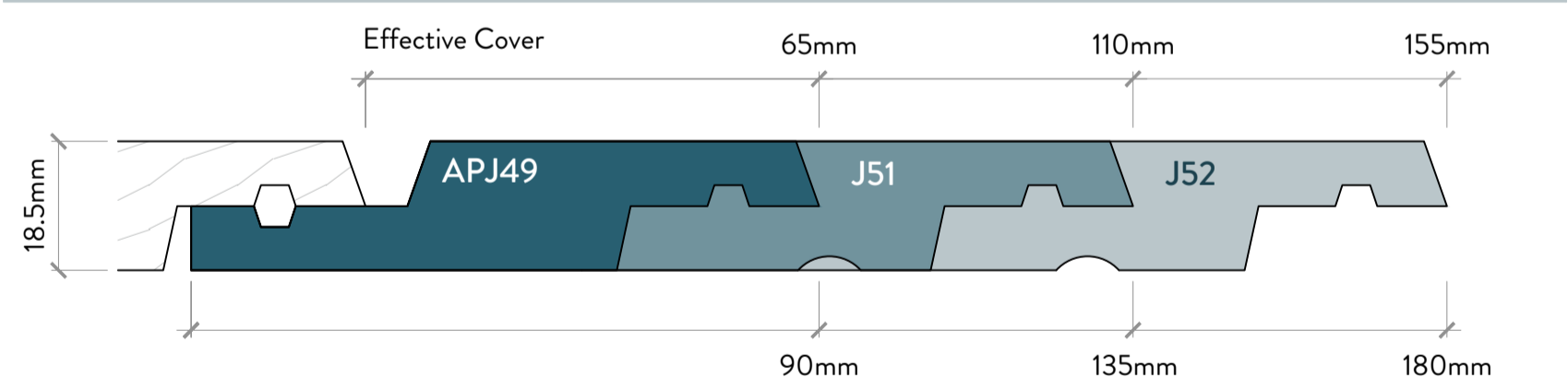
SINGLE CENTRE GROOVE, SQUARE EDGES PROFILES - 6mm CHANNEL



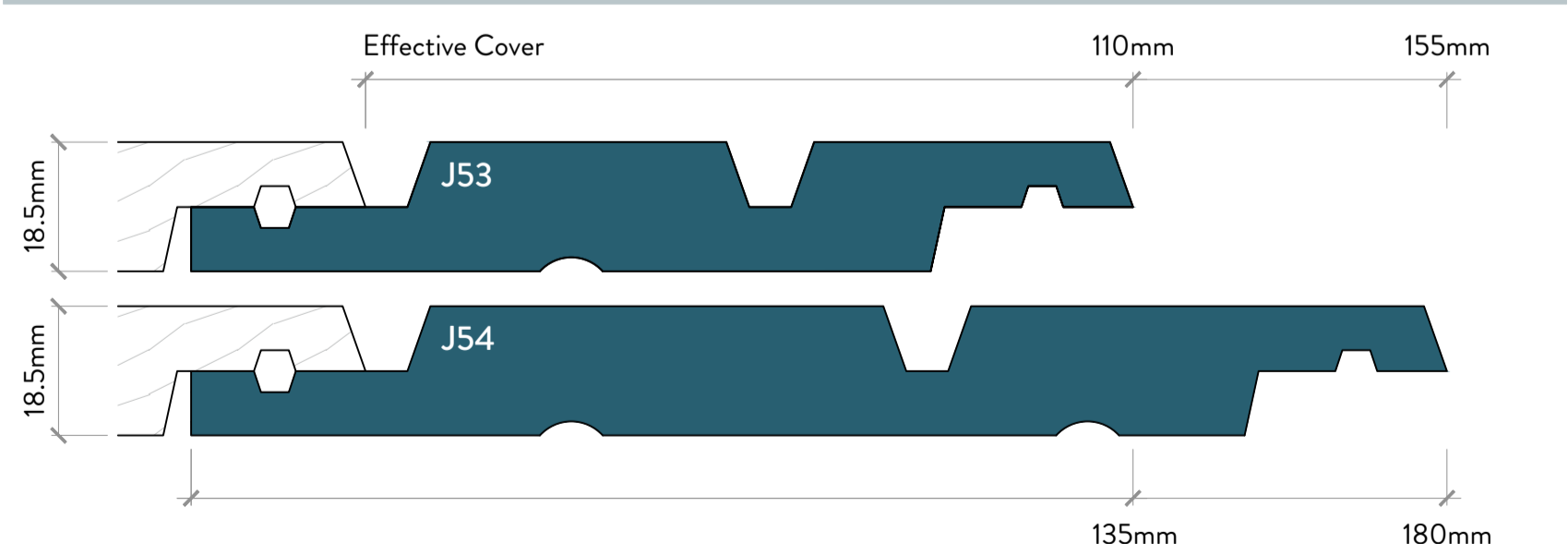
DOUBLE CENTRE GROOVE, SQUARE EDGES PROFILE - 6mm CHANNEL



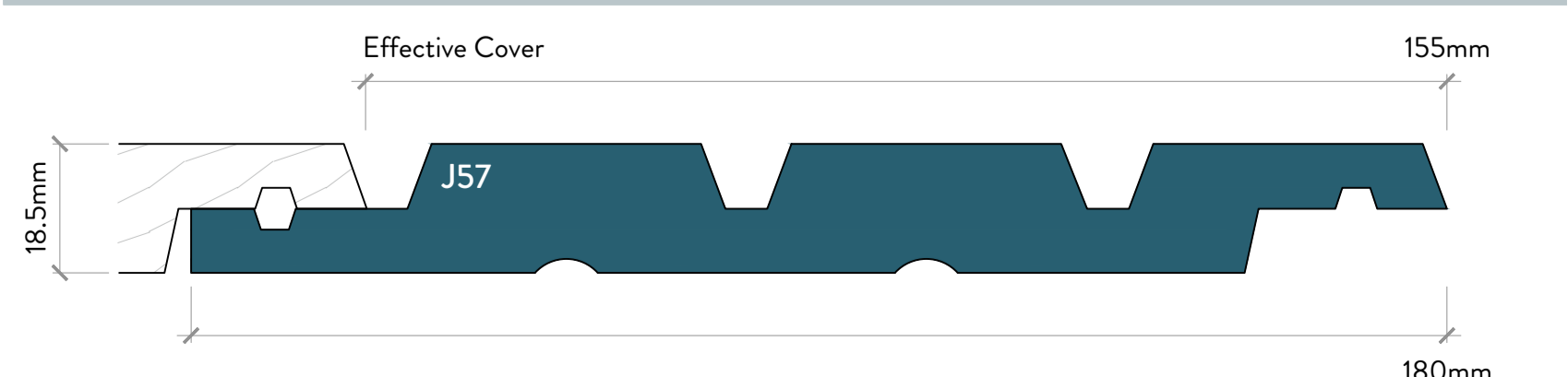
BEVELLED EDGES PROFILES - 6mm CHANNEL



SINGLE CENTRE GROOVE, BEVELLED EDGES PROFILES - 6mm CHANNEL

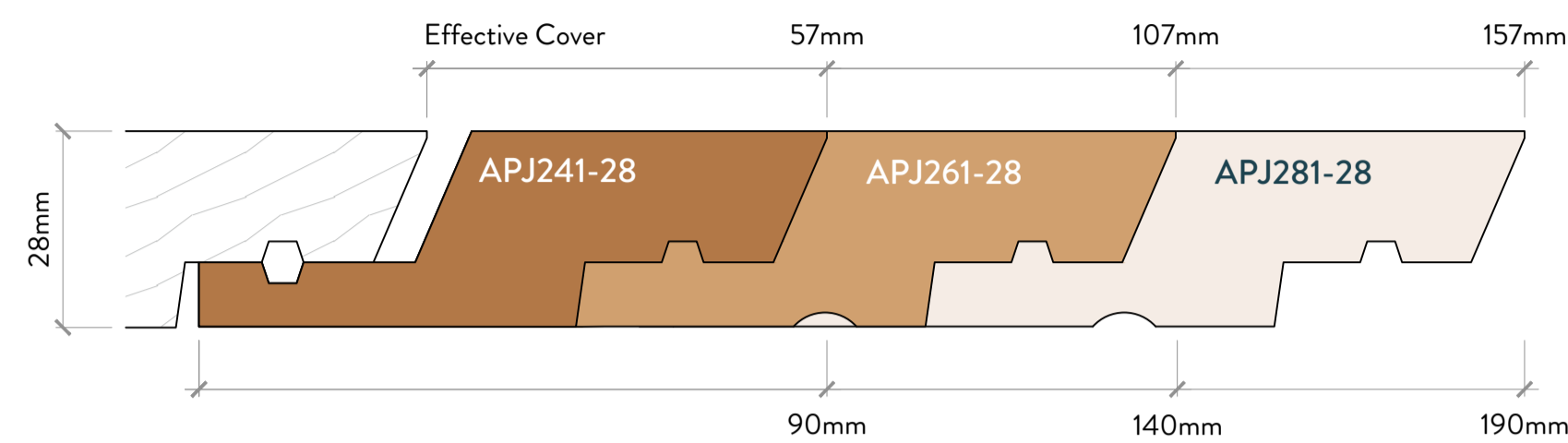
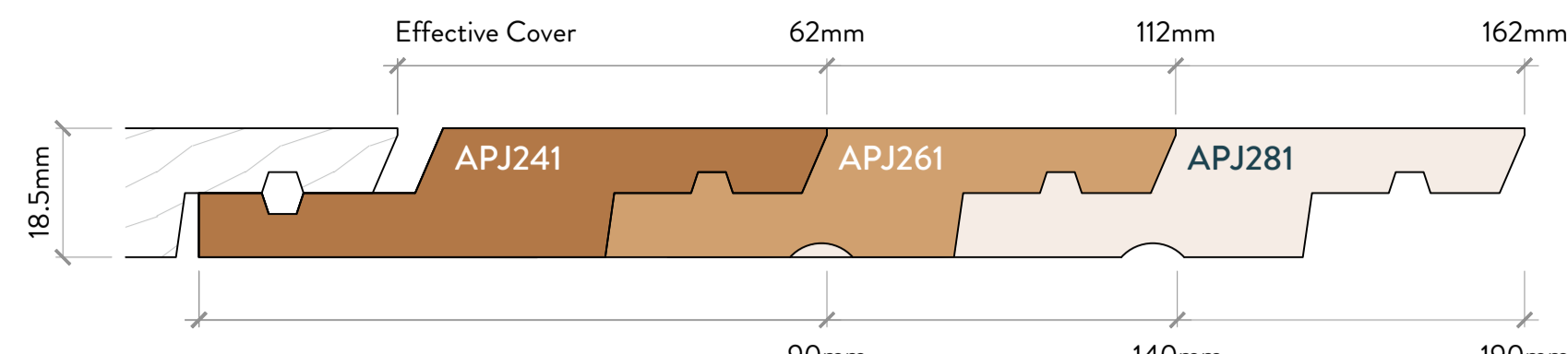


DOUBLE CENTRE GROOVE, BEVELLED EDGES PROFILE - 6mm CHANNEL

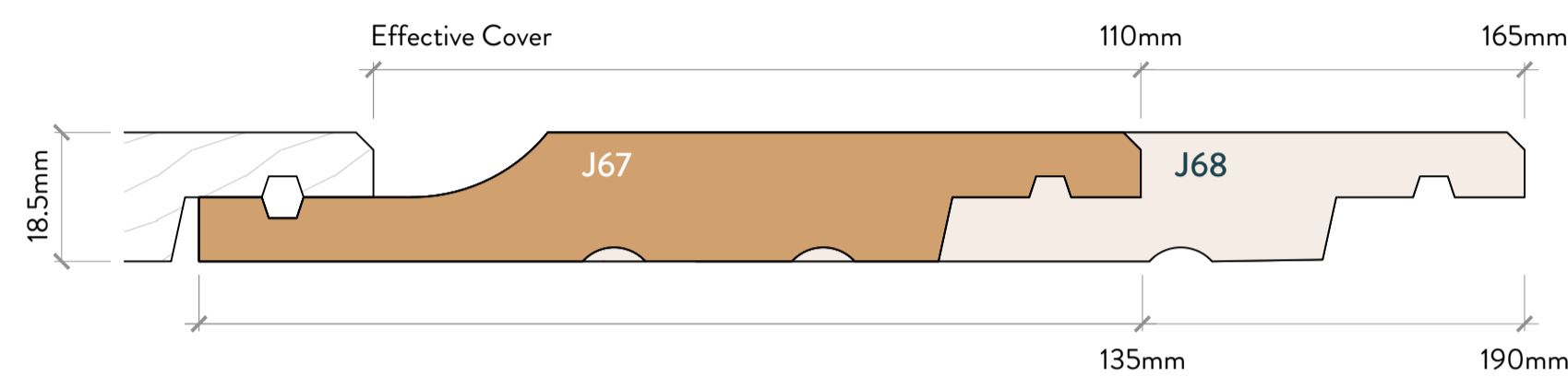


HORIZONTAL RUSTICATED WEATHERBOARDS

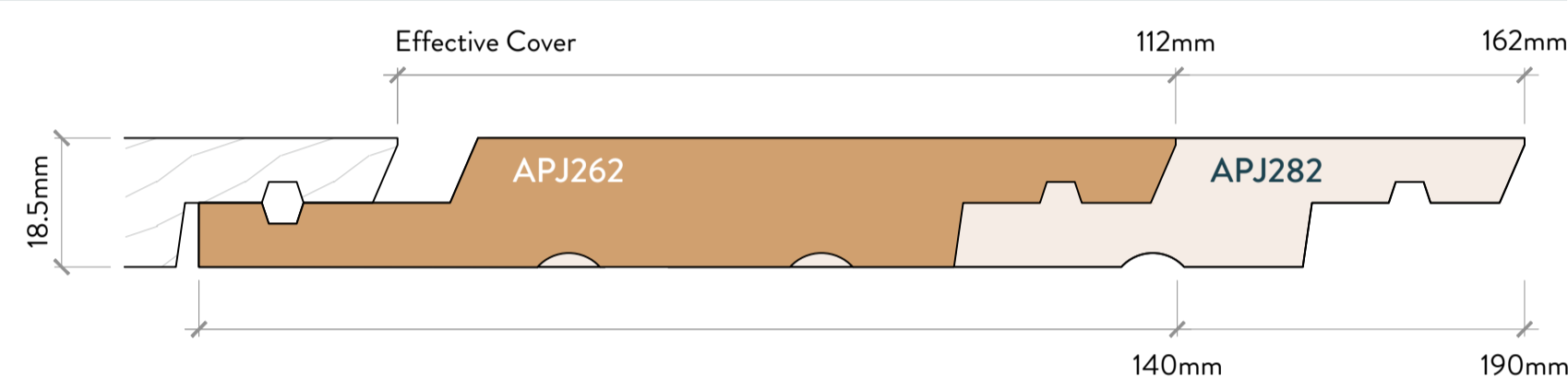
DOUBLE SPLAY RUSTIC PROFILES - 6mm CHANNEL



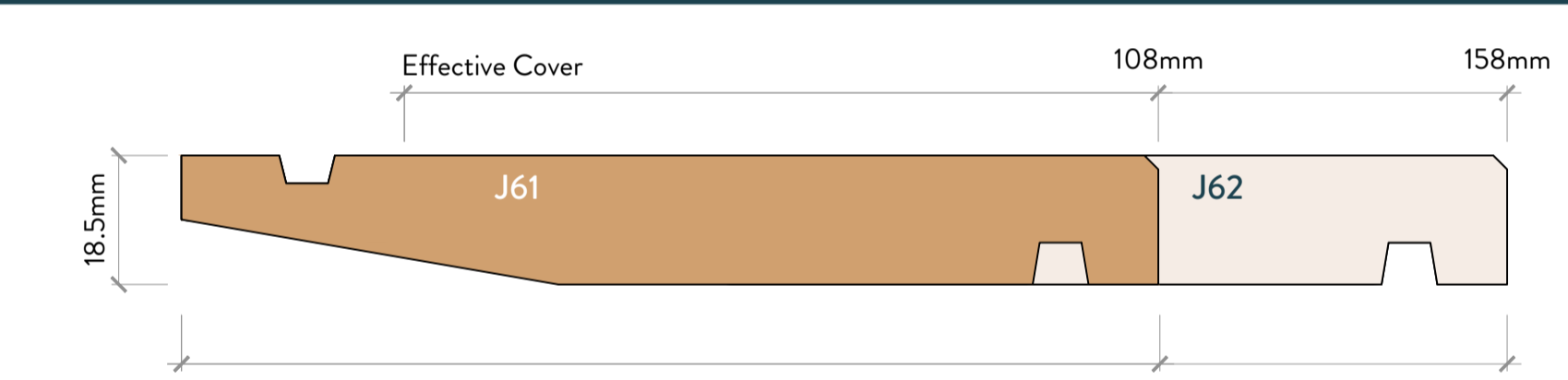
TRADITIONAL RUSTIC PROFILES - 25mm CHANNEL



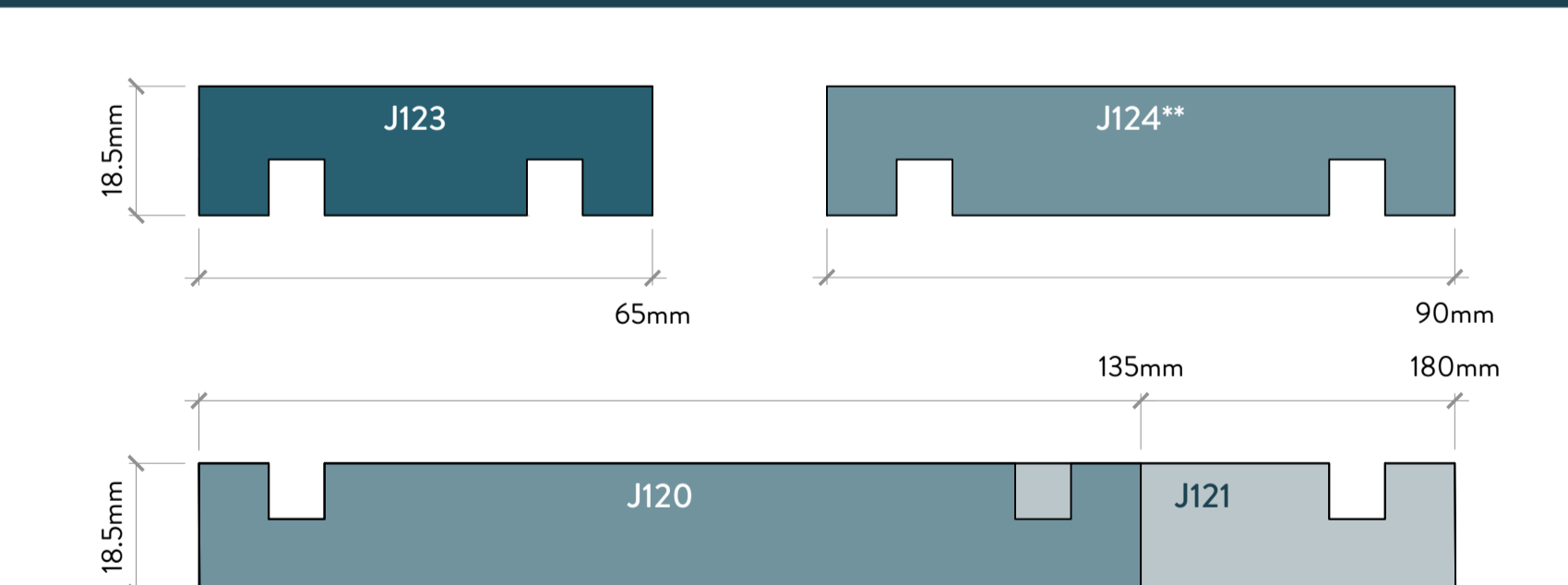
DOUBLE SPLAY RUSTIC - 11mm CHANNEL



BEVEL BACK WEATHERBOARDS



VERTICAL BOARD & BATTEN WEATHERBOARDS



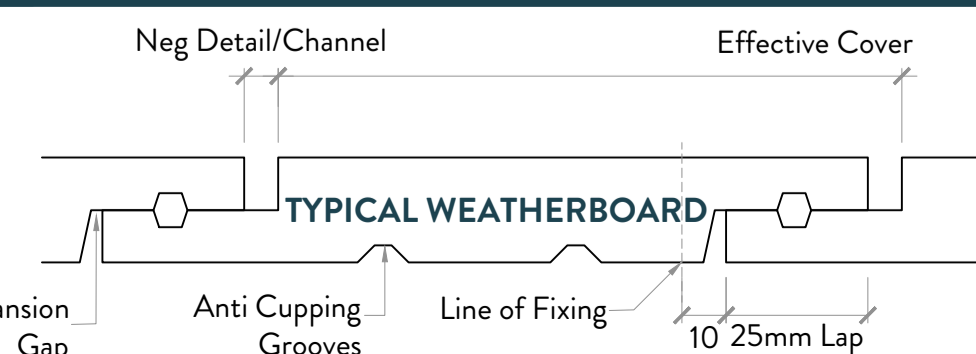
**NOTE: J124 to be used as corner profile only

DECKING PROFILES



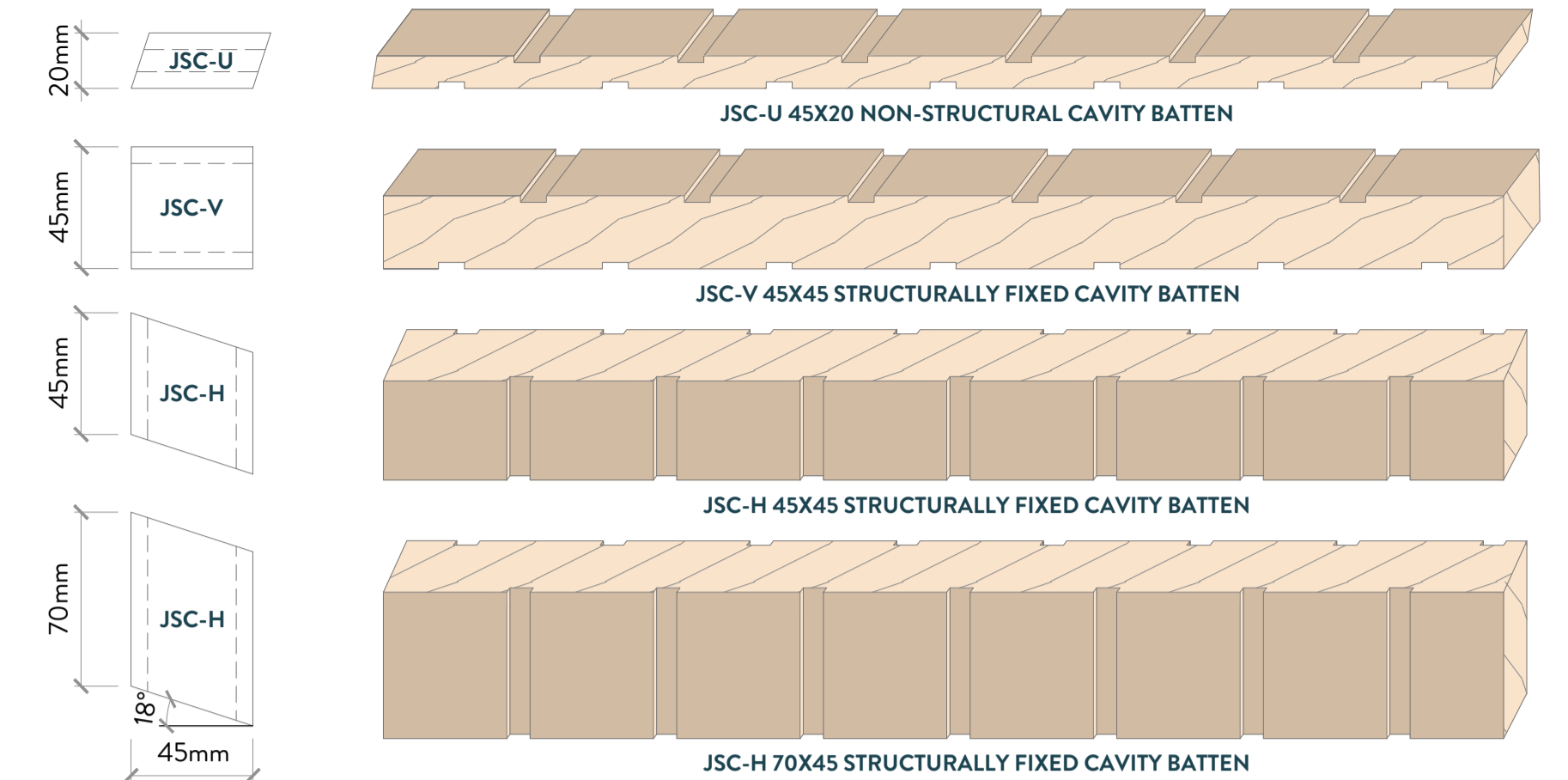
NOTE: Wider, thicker, and custom sizes including Drydek may be available. Contact us to find out more.

NOTES



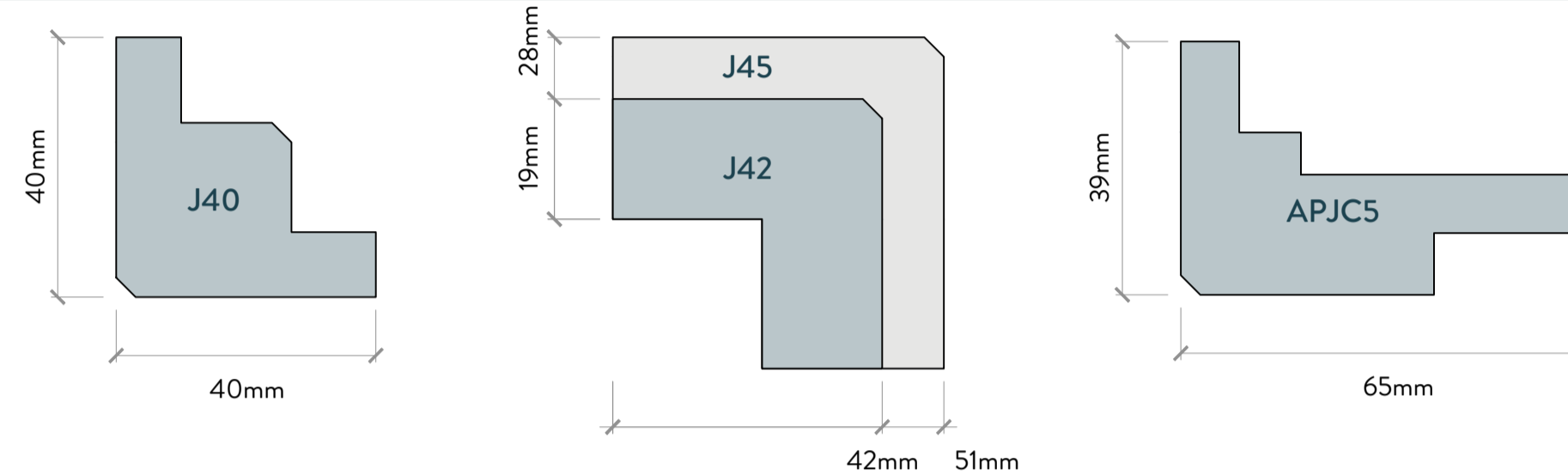
- Profiles on this chart show the standard JSC Profile range.
- Profiles are available in Band Sawn finish. Dressed and Brushed finishes are available depending on chosen specie and coating requirement.
- For paint applications, profiles with sharp edges are machined with 1.5mm radius.

CAVITY BATTENS (Nominal Dimensions / Not to Scale)

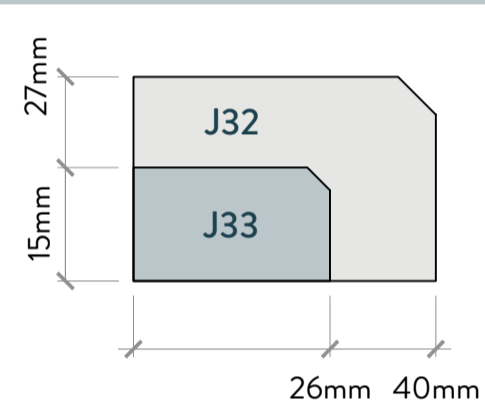


EXTERIOR MOULDINGS

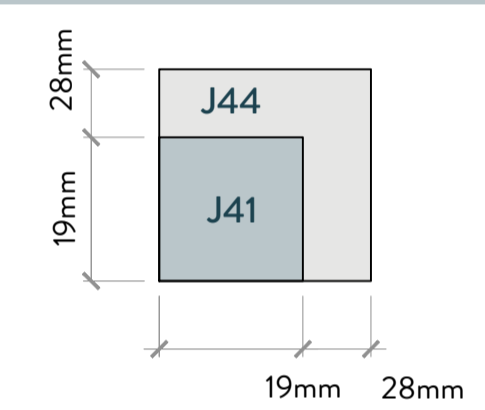
CORNER MOULDINGS



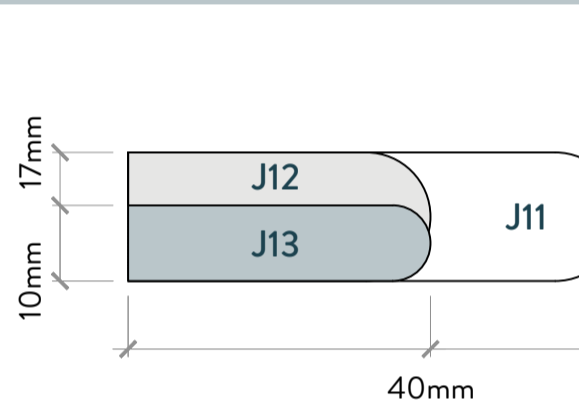
EAVES MOULD



INTERNAL CORNER



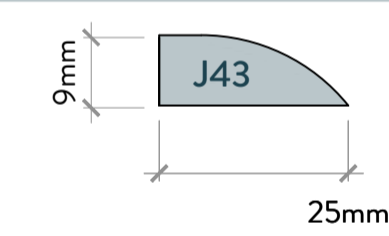
SCRIBER



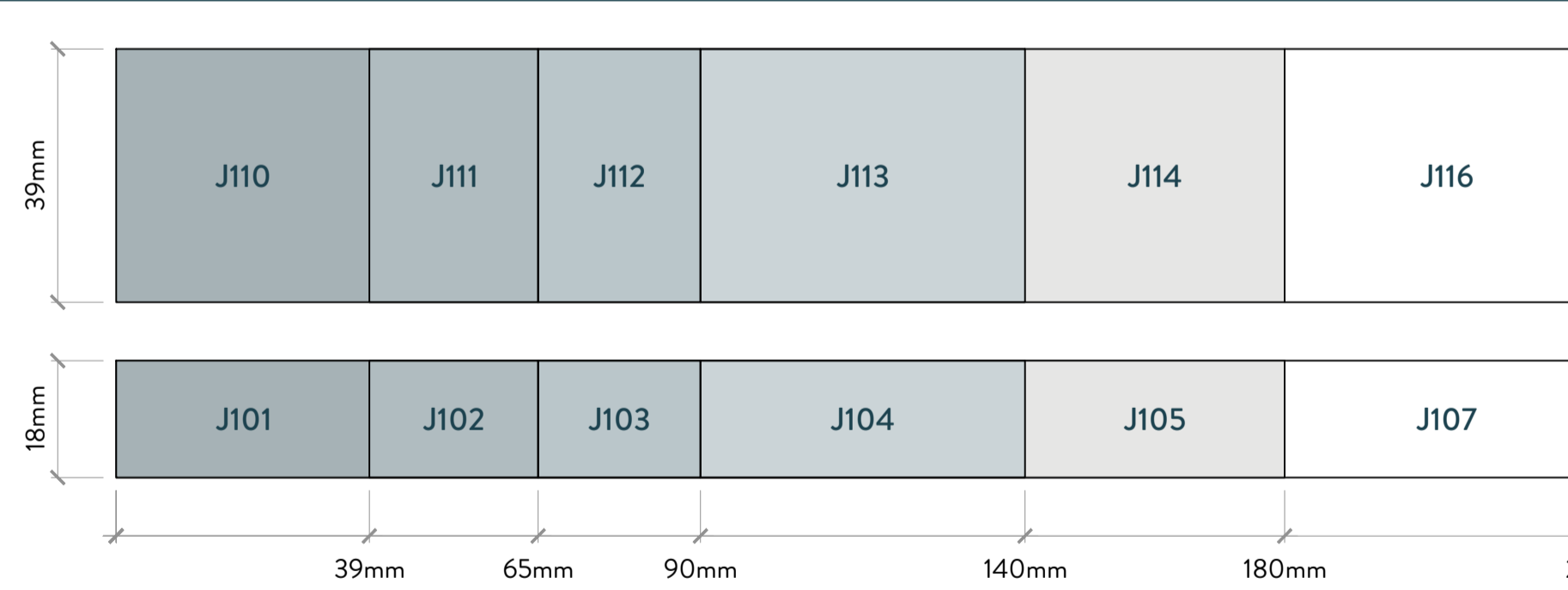
D4S BEAD



RUSTIC PLUG

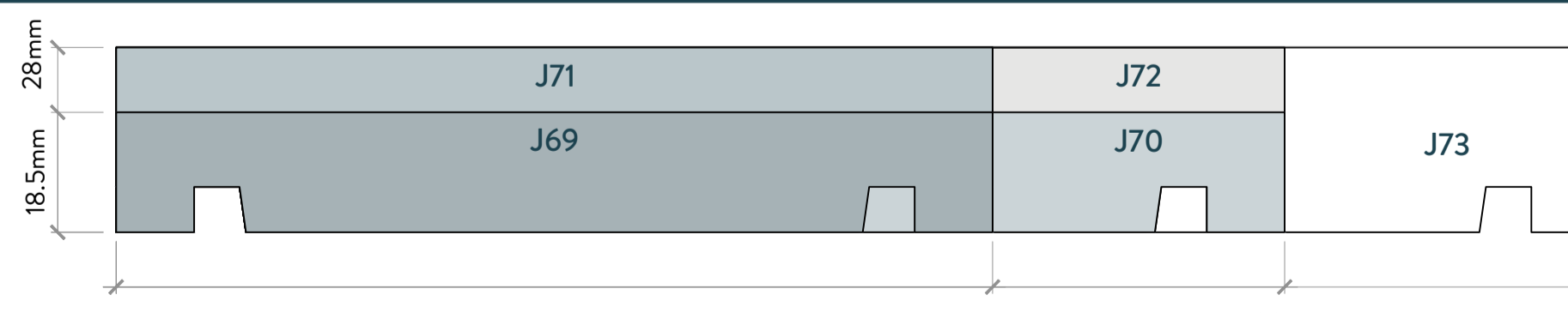


BATTENS: DRESSED 4 SIDES & BANDSAWN 4 SIDES



NOTE: Wider, thicker and custom sizes may be available. Contact us to find out more.

FASCIA BOARDS



NOTE: Wider, thicker, and custom sizes may be available. Contact us to find out more.

- JSC Weatherboards must be installed by a suitably qualified and experienced tradesperson in accordance with the chosen cladding specification, installation and maintenance documentation.
- Details are subject to change without notification. Refer to www.jsc.co.nz for up to date documentation.