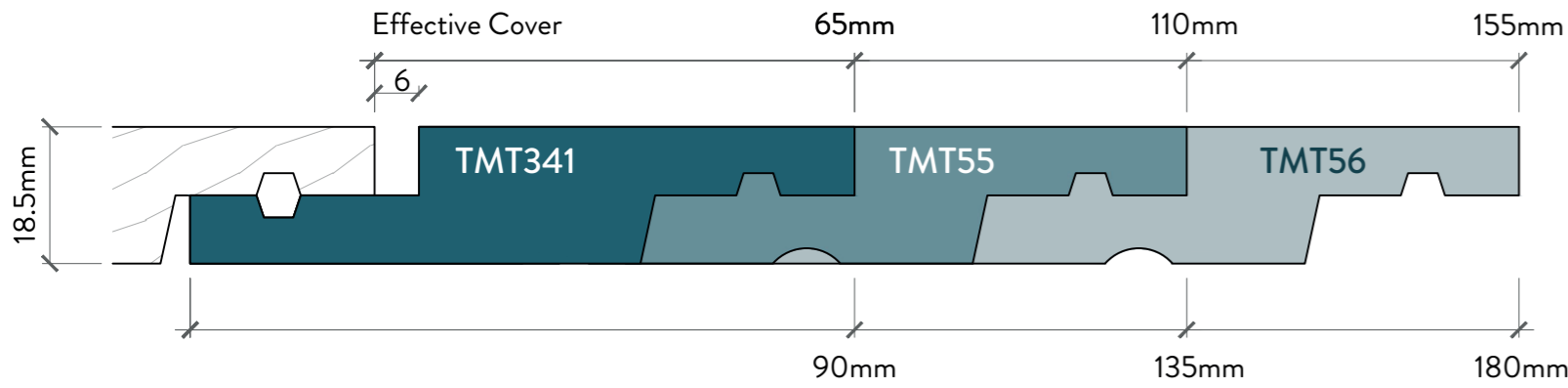


JSC TMT WEATHERBOARD PROFILES

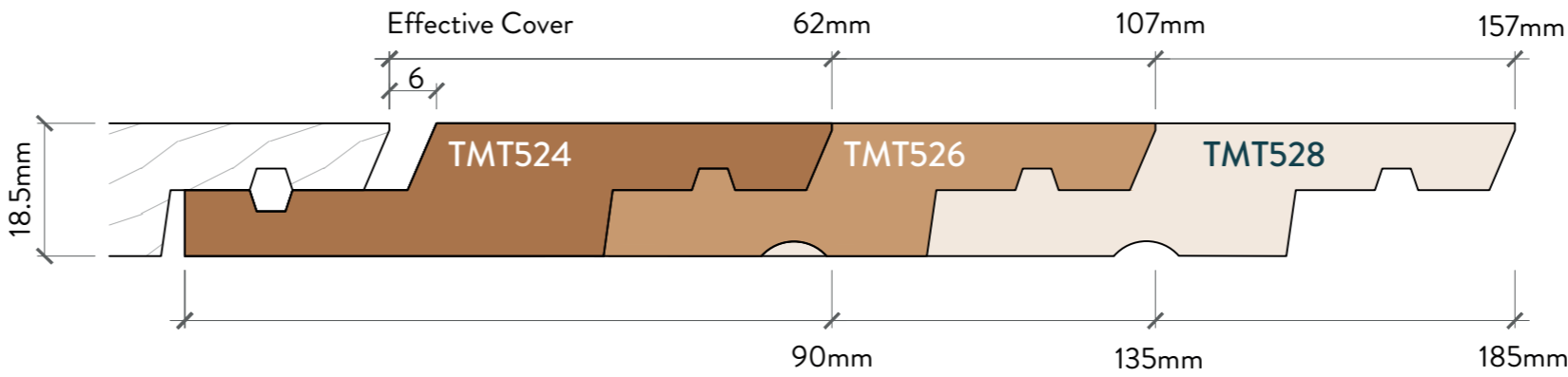
VERTICAL SHIPLAP WEATHERBOARDS

SQUARE EDGES PROFILES - 6mm CHANNEL



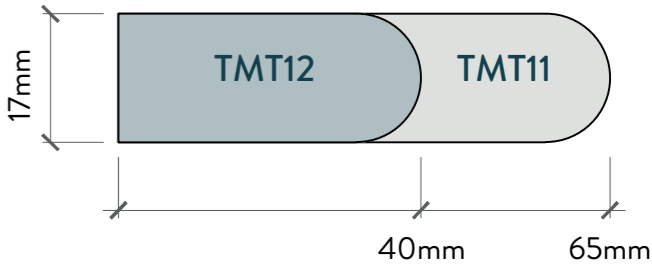
RUSTICATED HORIZONTAL WEATHERBOARDS

DOUBLE SPLAY RUSTIC PROFILES - 6mm CHANNEL

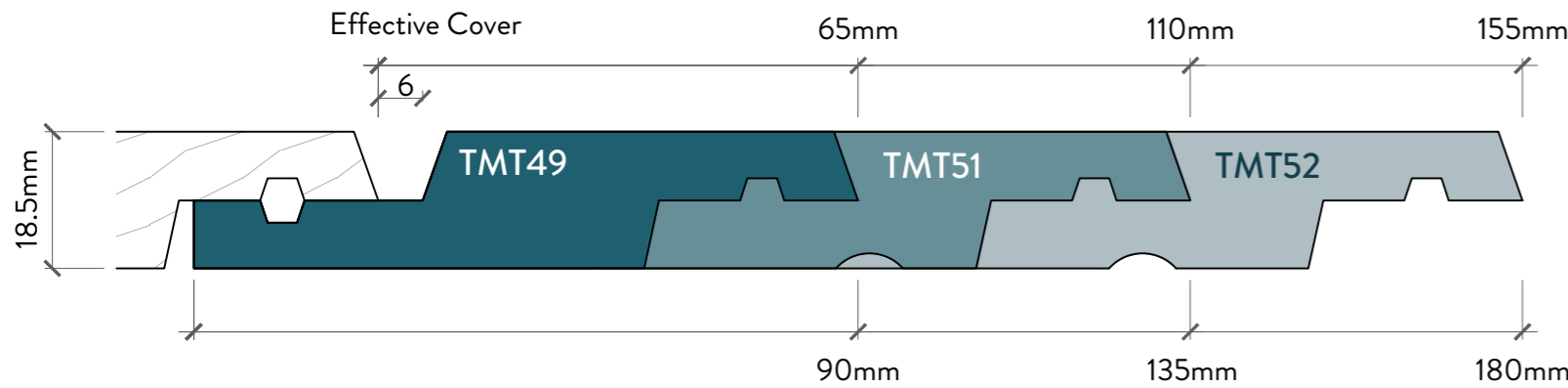


EXTERIOR MOULDINGS

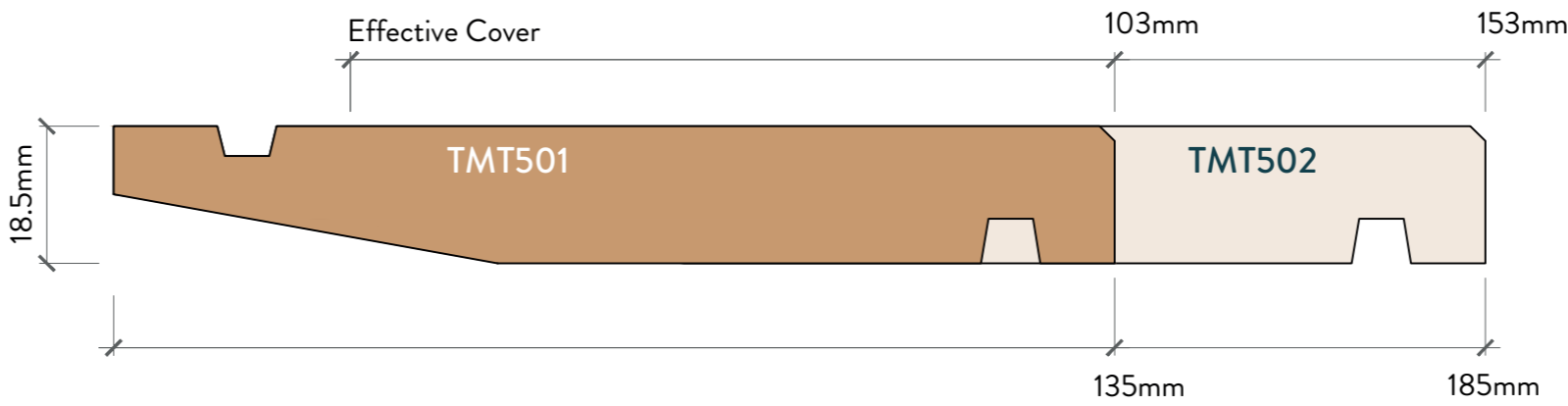
SCRIBER



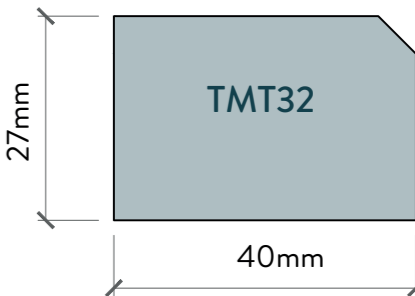
BEVELLED EDGES PROFILES - 6mm CHANNEL



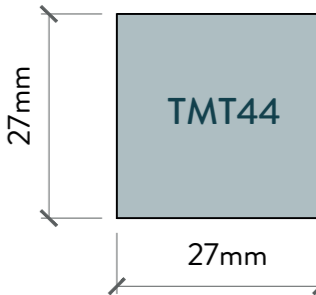
BEVEL BACK WEATHERBOARDS



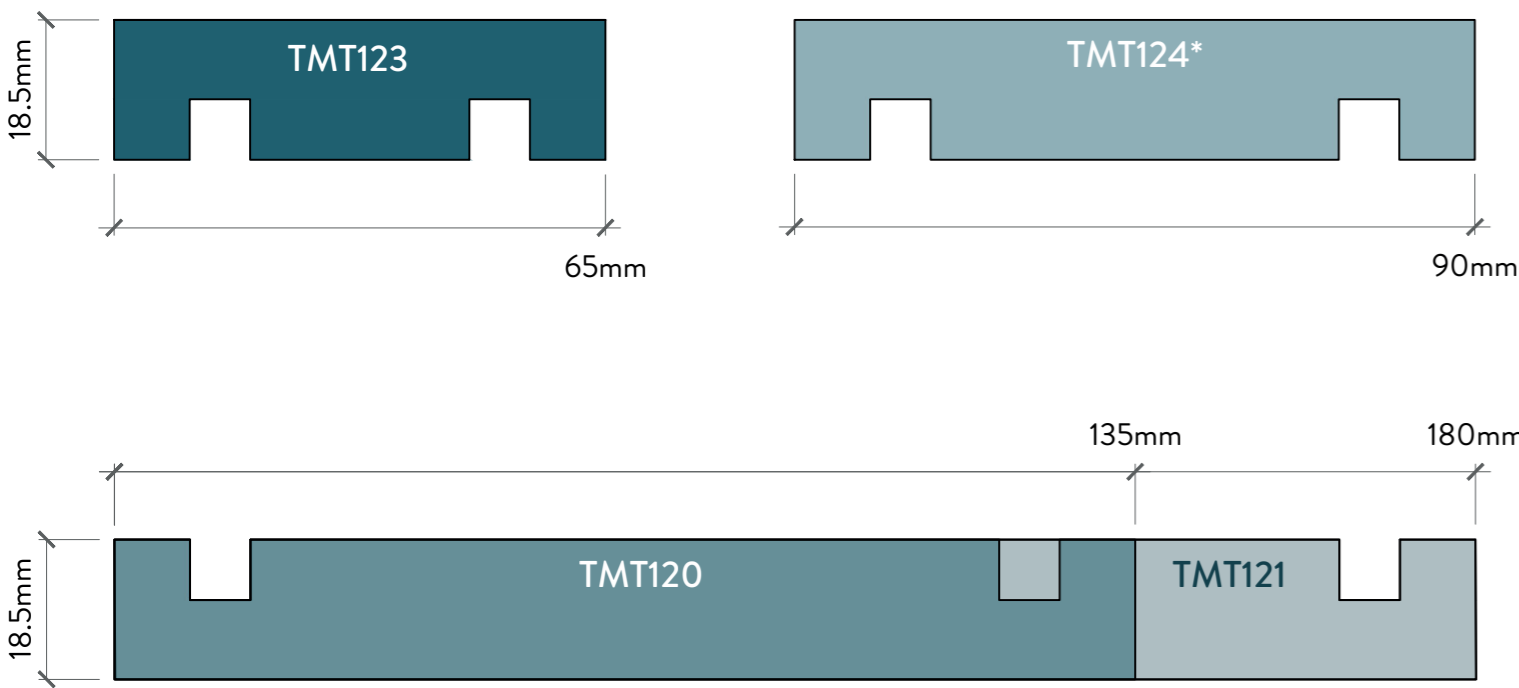
EAVES MOULD



INTERNAL CORNER MOULDING



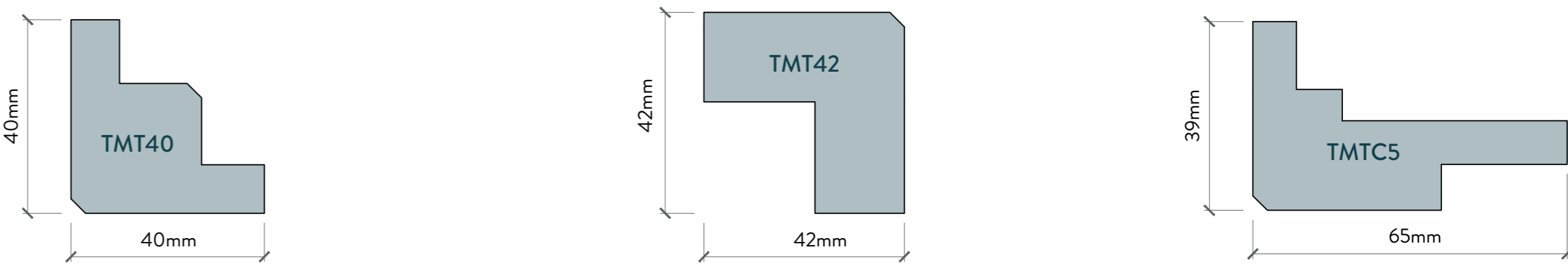
VERTICAL BOARD & BATTEN



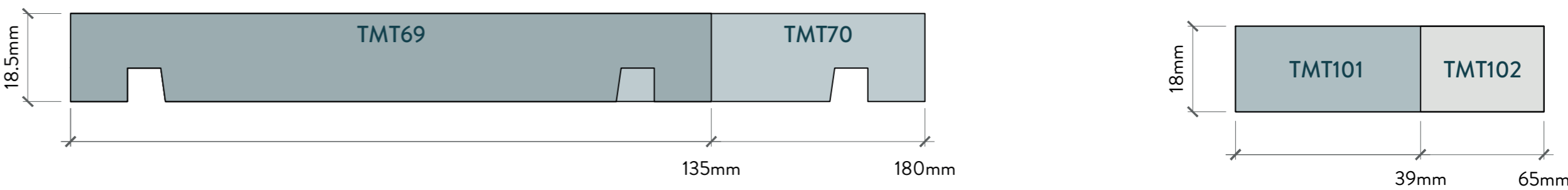
*NOTE: TMT124 to be used as corner profile only

EXTERIOR MOULDINGS

EXTERNAL CORNER MOULDINGS



FASCIA BOARDS



NOTES

- Profiles on this chart show the standard JSC Profile range.
- Recommended Fixings: 316 Stainless Steel Annular Grooved Nails
- Custom profiles available upon request.
- Not all lengths are available in all profiles.
- Not all profiles or lengths are in stock.
- Profiles are available in Band Sawn finish. Dressed and Brushed finishes are available depending on chosen specie and coating requirement.
- Details are subject to change without notification. Refer to www.jsc.co.nz for up to date documentation.
- JSC weatherboards must be installed by a suitably qualified and experienced tradesperson in accordance with the chosen cladding specification, installation and maintenance documentation.

www.jsc.co.nz

0800 57 26 88