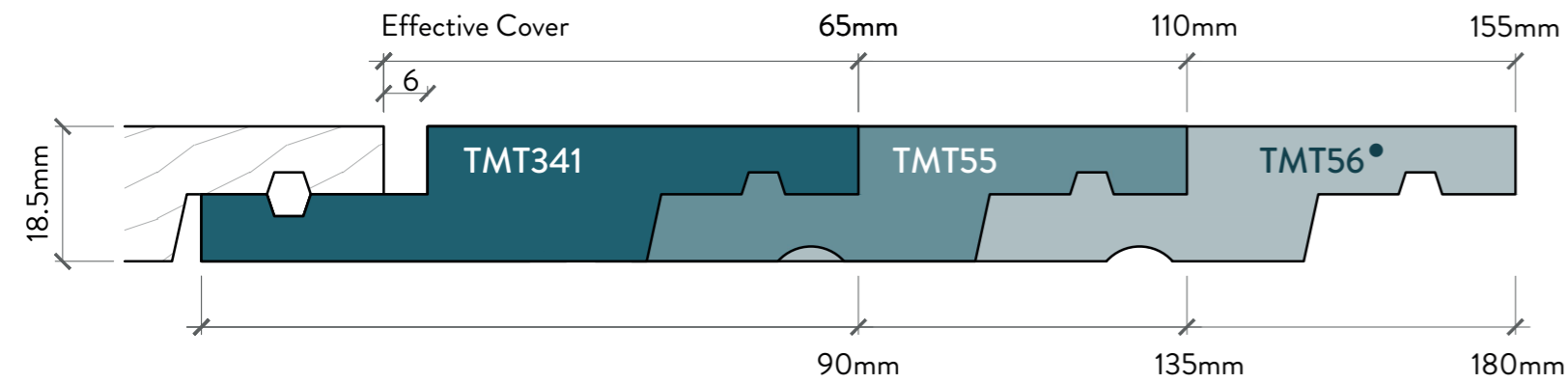


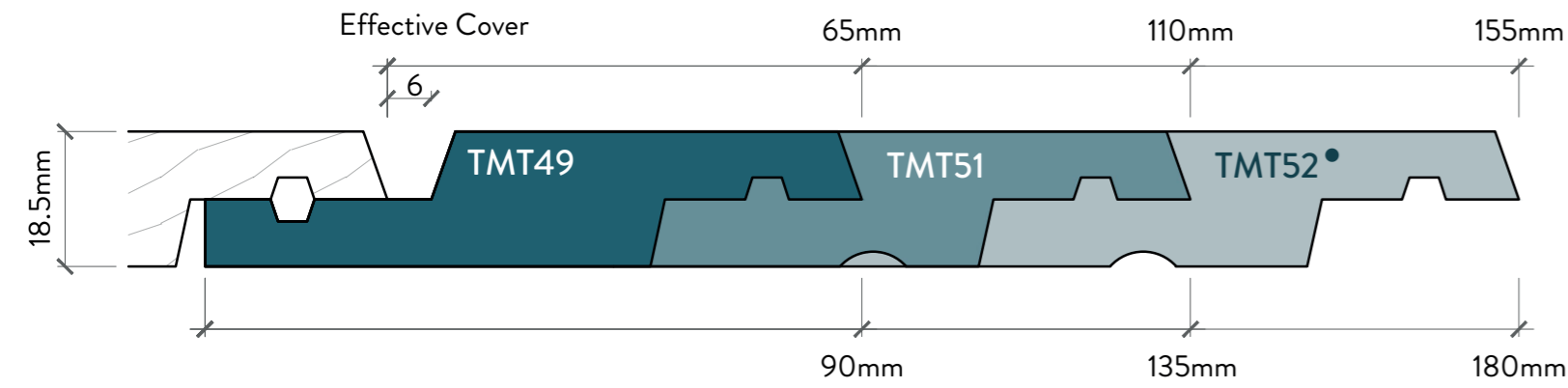
# JSC TMT WEATHERBOARD PROFILES

## VERTICAL SHIPLAP WEATHERBOARDS

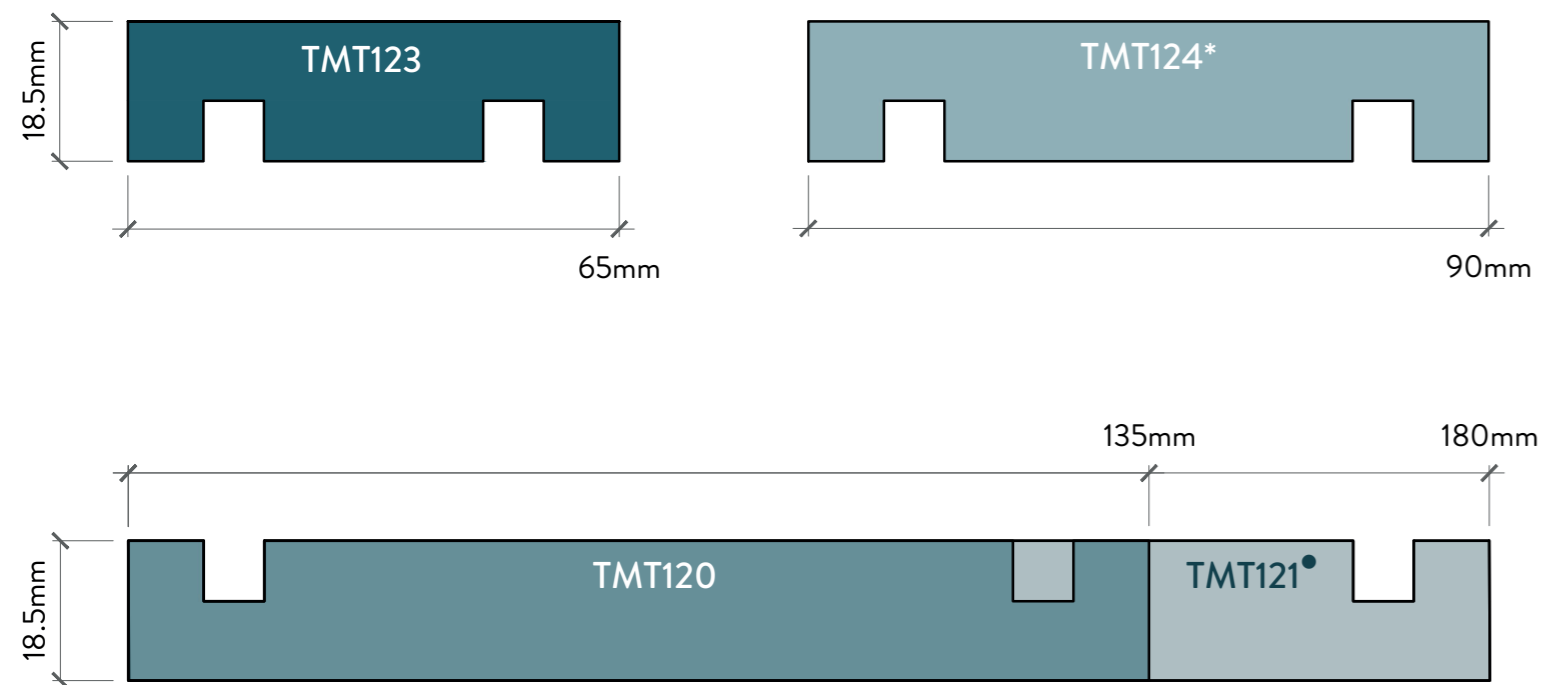
SQUARE EDGES PROFILES - 6mm CHANNEL



## BEVELLED EDGES PROFILES - 6mm CHANNEL



## VERTICAL BOARD & BATTEN

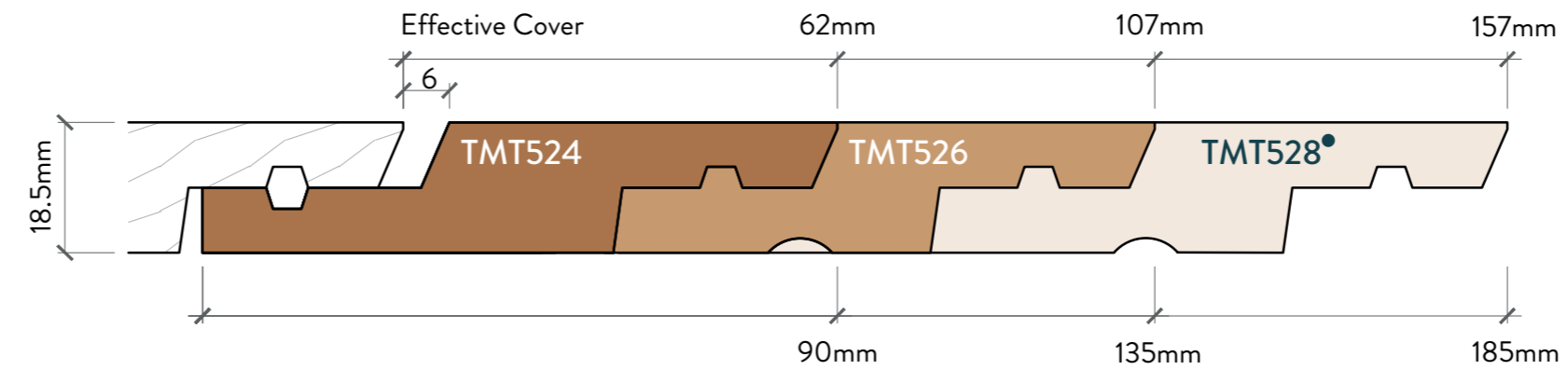


\*NOTE: TMT124 to be used as corner profile only

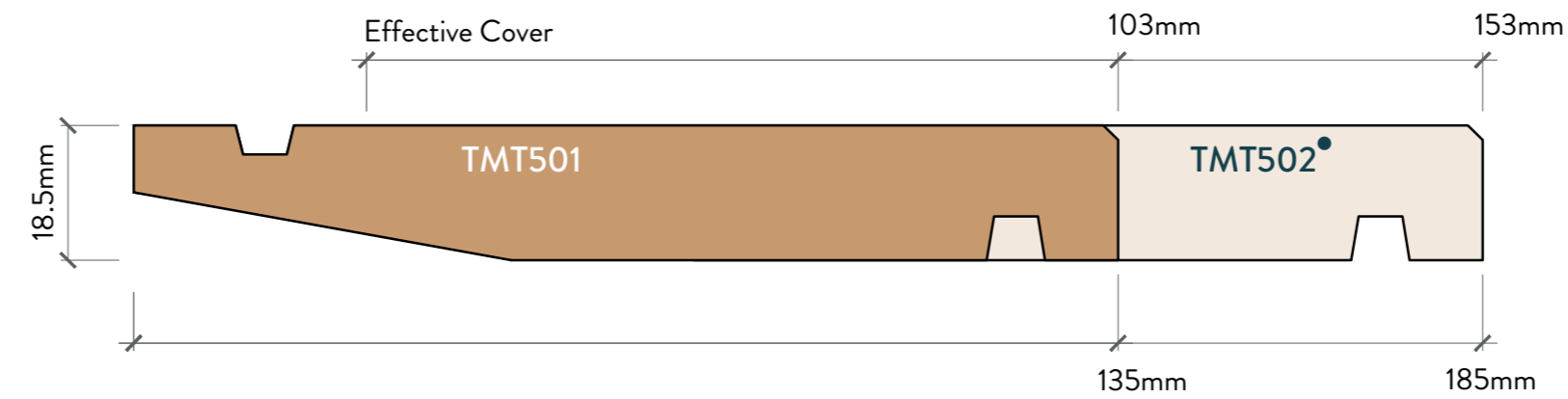
\*NOTE: Profiles not available on TMT Taiga

## RUSTICATED HORIZONTAL WEATHERBOARDS

DOUBLE SPLAY RUSTIC PROFILES - 6mm CHANNEL

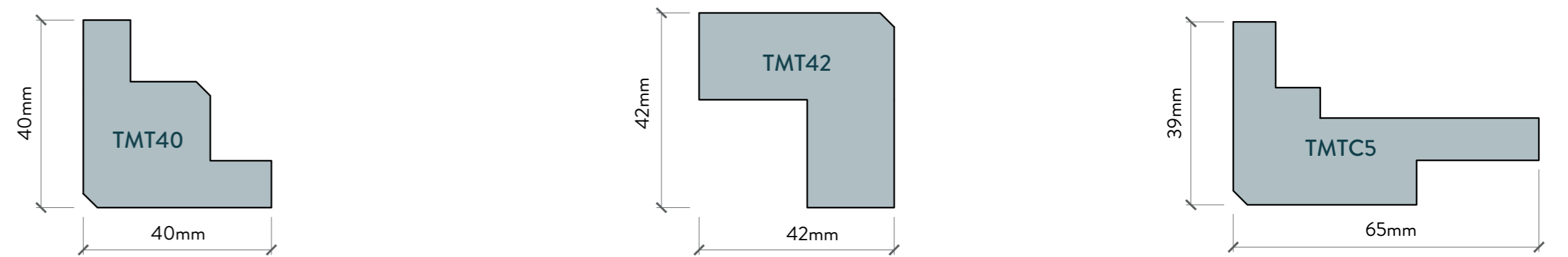


## BEVEL BACK WEATHERBOARDS

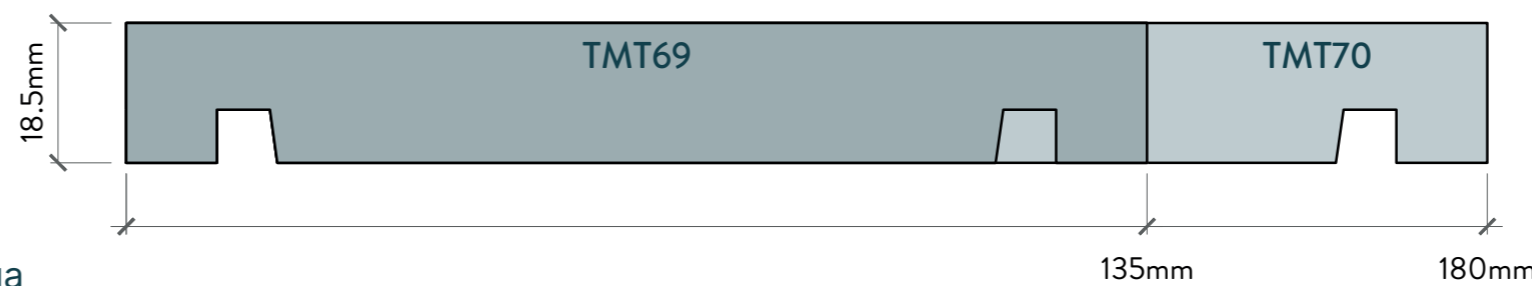


## EXTERIOR MOULDINGS

EXTERNAL CORNER MOULDINGS

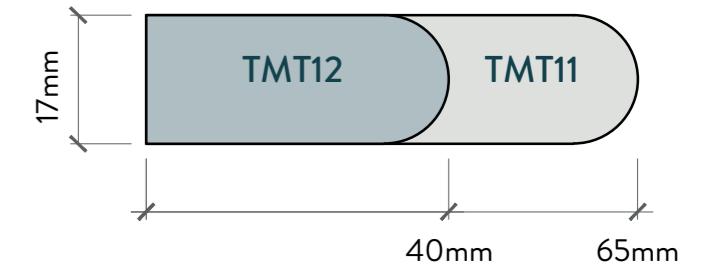


FASCIA BOARDS

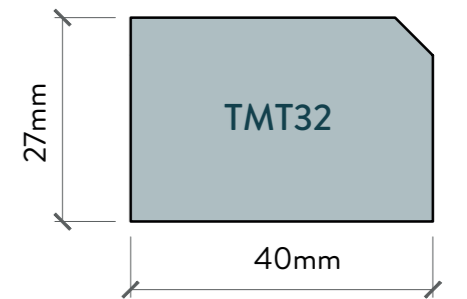


## EXTERIOR MOULDINGS

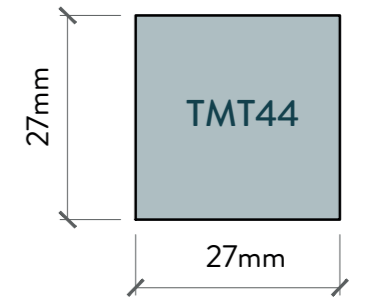
SCRIBER



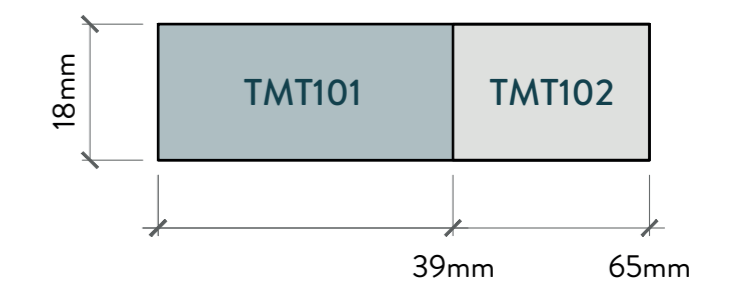
EAVES MOULD



INTERNAL CORNER MOULDING



BATTENS



### NOTES

- Profiles on this chart show the standard JSC Profile range.
- Recommended Fixings: 316 Stainless Steel Annular Grooved Nails
- Custom profiles available upon request.
- Not all lengths are available in all profiles.
- Not all profiles or lengths are in stock.
- Profiles are available in Band Sawn finish, Dressed and Brushed finishes are available depending on chosen specie and coating requirement.
- Details are subject to change without notification. Refer to [www.jsc.co.nz](http://www.jsc.co.nz) for up to date documentation.
- JSC weatherboards must be installed by a suitably qualified and experienced tradesperson in accordance with the chosen cladding specification, installation and maintenance documentation.

[www.jsc.co.nz](http://www.jsc.co.nz)

0800 57 26 88